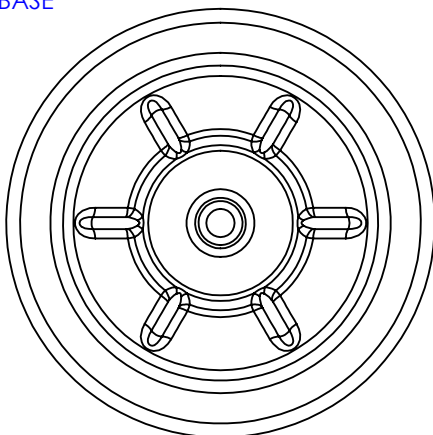


ESTERFORM LOGO
RECYCLING LOGO
AND CAVITY NUMBER
TO BE SIZED AND POSITIONED
APPROPRIATELY ON BASE



PRODUCT TITLE

500ml PC

DRAWING NUMBER

E993-B-01

ISSUE NUMBER

3

MATERIAL

PET



CAPACITY @ FILL LEVEL
@ 20°C after 72hrs

502ml ± 5ml

CAPACITY @ BRIMFUL
@ 20°C after 72hrs

...

NECK FINISH

38mm UCS vented

NECK DRAWING No

E1765-N-04

DESIGN WEIGHT

22g

ALTERNATIVE WEIGHTS

...

TOOLING REF

...

DIMENSIONS

ALL DIMENSIONS IN MILLIMETERS UNLESS
OTHERWISE STATED

ALL DIMENSIONS SHOWN ARE A REPRESENTATION
AND ARE SUBJECT TO CHANGE

UNLESS STATED GENERAL TOLERANCES
FOR BLOWN PARTS = ±0.5 mm

UNLESS STATED GENERAL TOLERANCES
FOR INJECTED PARTS = ±0.2mm

HEAD OFFICE

ESTERFORM PACKAGING LIMITED
BORASTON LANE
TENBURY WELLS
WORCESTERSHIRE
WR15 8LE, UK

Phone : +44 (0) 1584 810 600
Fax : +44 (0) 1584 810 213

THIS DRAWING AND THE COPYRIGHT THEREON
ARE THE PROPERTY OF ESTERFORM LTD AND MUST
NOT BE REPRODUCED IN PART OR IN WHOLE OR
PASSED ON TO OTHERS WITHOUT PERMISSION