

PRODUCT TITLE

750ml WHITE SPIRIT

DRAWING NUMBER

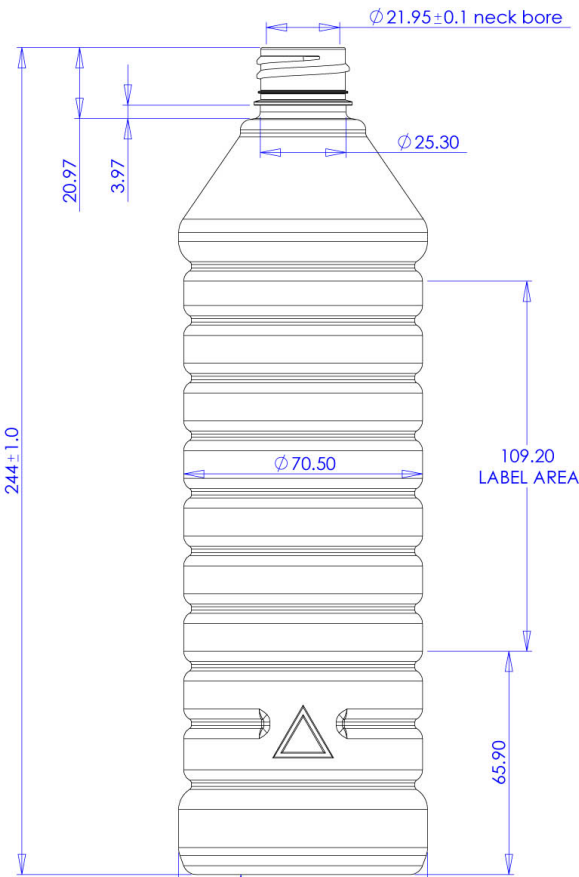
E426-B-01 ...

ISSUE NUMBER

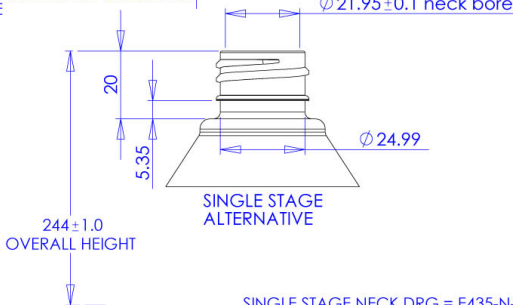
1

MATERIAL

PET



ESTERFORM LOGO
VOLUME:750ml
RECYCLING LOGO AND
CAVITY NUMBER TO BE SIZED
AND POSITIONED APPROPRIATELY
ON BASE



SINGLE STAGE NECK DRG = E435-N-01
TWO STAGE NECK DRG = E186-N-01

CAPACITY @ FILL LEVEL
@ 20°C after 72hrs

...

CAPACITY @ BRIMFULL
@ 20°C after 72hrs

779ml \pm 7ml

NECK FINISH

28mm SP-410

DESIGN WEIGHT

32g

ALTERNATIVE WEIGHTS

...

TOOLING REF

...

DIMENSIONS

ALL DIMENSIONS IN MILLIMETERS UNLESS
OTHERWISE STATED

ALL DIMENSIONS SHOWN ARE A REPRESENTATION
AND ARE SUBJECT TO CHANGE

UNLESS STATED GENERAL TOLERANCES
FOR BLOWN PARTS = ± 0.5 mm

UNLESS STATED GENERAL TOLERANCES
FOR INJECTED PARTS = ± 0.2 mm

HEAD OFFICE

ESTERFORM PACKAGING LIMITED
BORASTON LANE
TENBURY WELLS
WORCESTERSHIRE
WR15 8LE, UK

Phone : +44 (0) 1584 810 600
Fax : +44 (0) 1584 810 213

THIS DRAWING AND THE COPYRIGHT THEREON
ARE THE PROPERTY OF ESTERFORM LTD AND MUST
NOT BE REPRODUCED IN PART OR IN WHOLE OR
PASSED ON TO OTHERS WITHOUT PERMISSION