

PRODUCT TITLE

330ml DUMPY TALL (1810)

DRAWING NUMBER

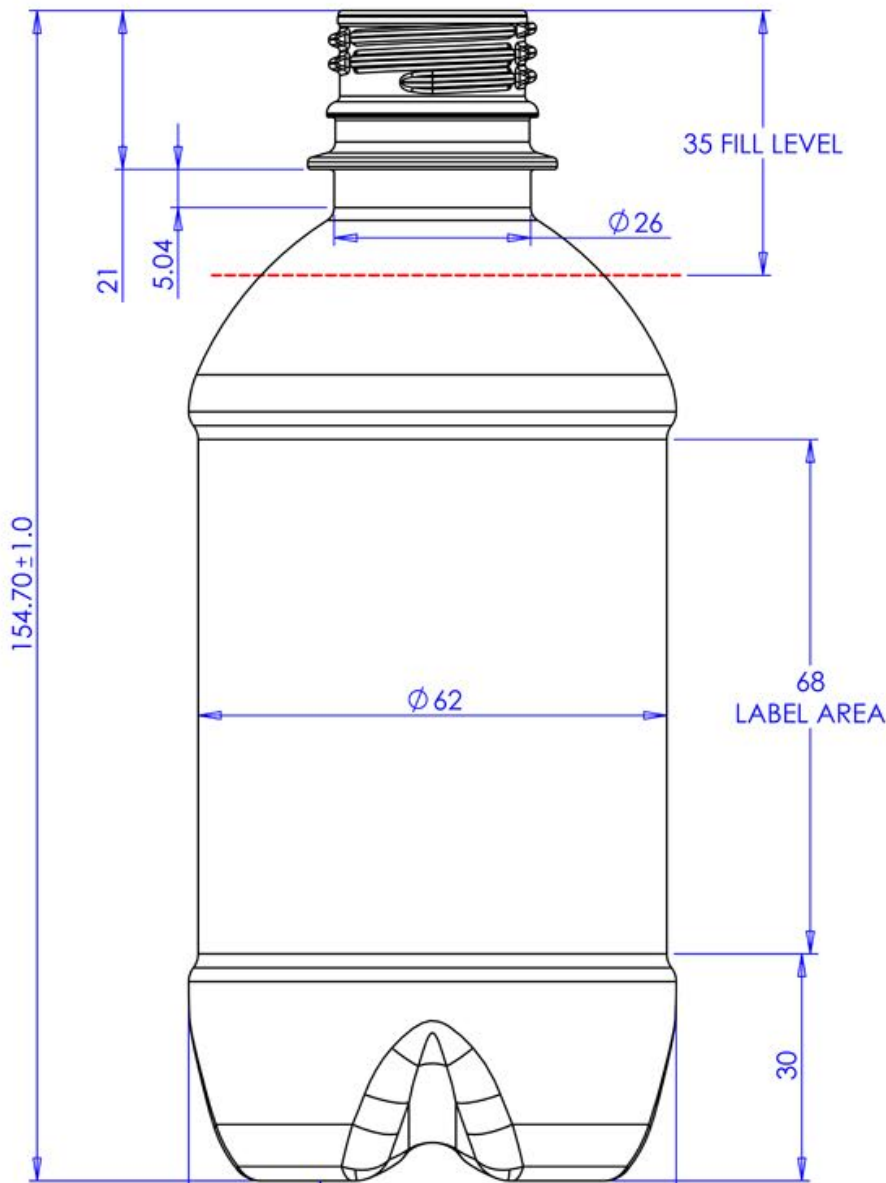
E2563-B-01

ISSUE NUMBER

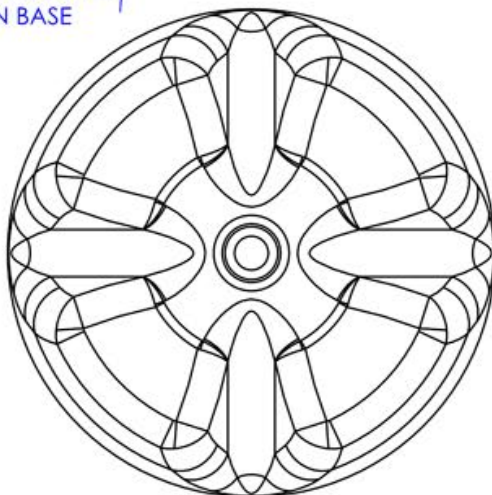
1

MATERIAL

PET



ESTERFORM LOGO
 RECYCLING LOGO
 AND CAVITY NUMBER
 TO BE SIZED AND POSITIONED
 APPROPRIATELY ON BASE


 CAPACITY @ FILL LEVEL
 @ 20°C after 72hrs

335ml ± 5ml

 CAPACITY @ BRIMFUL
 @ 20°C after 72hrs

...

NECK FINISH

28mm PCO 1810

NECK DRAWING No

E135-N-01

DESIGN WEIGHT

16g

ALTERNATIVE WEIGHTS

...

TOOLING REF

...

DIMENSIONS

 ALL DIMENSIONS IN MILLIMETERS UNLESS
 OTHERWISE STATED

 ALL DIMENSIONS SHOWN ARE A REPRESENTATION
 AND ARE SUBJECT TO CHANGE

 UNLESS STATED GENERAL TOLERANCES
 FOR BLOWN PARTS = ±0.5 mm

 UNLESS STATED GENERAL TOLERANCES
 FOR INJECTED PARTS = ±0.2mm

HEAD OFFICE

 ESTERFORM PACKAGING LIMITED
 BORASTON LANE
 TENBURY WELLS
 WORCESTERSHIRE
 WR15 8LE, UK

 Phone : +44 (0) 1584 810 600
 Fax : +44 (0) 1584 810 213

 THIS DRAWING AND THE COPYRIGHT THEREON
 ARE THE PROPERTY OF ESTERFORM LTD AND MUST
 NOT BE REPRODUCED IN PART OR IN WHOLE OR
 PASSED ON TO OTHERS WITHOUT PERMISSION