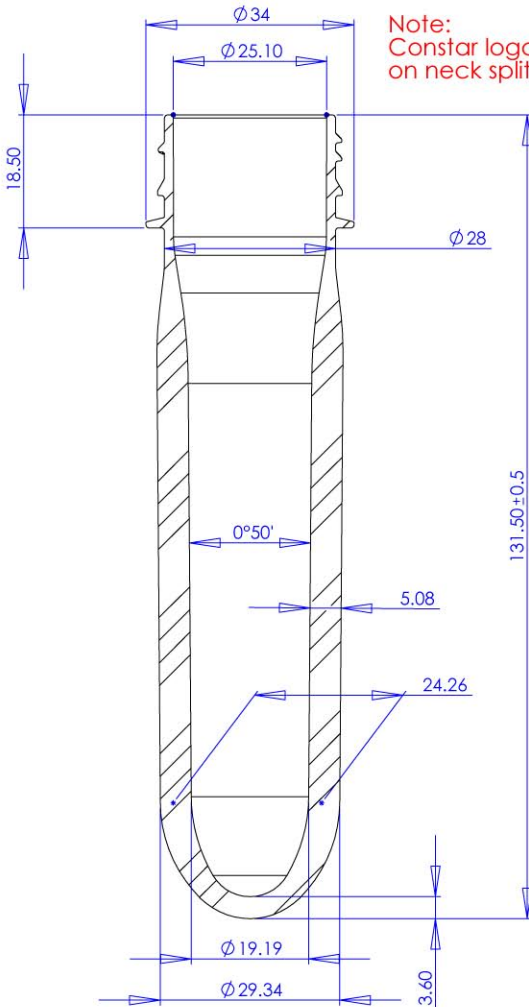
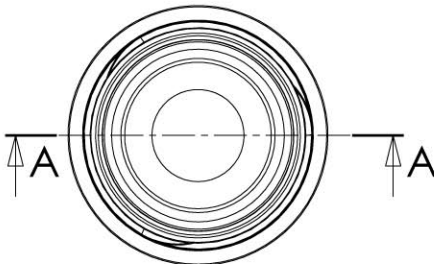


Note:  
Constar logo  
on neck splits



SECTION A-A



PRODUCT TITLE

**57g PREFORM**

DRAWING NUMBER

**E2400-P-03**

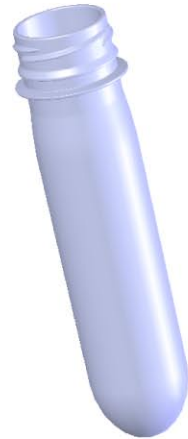
ref Constar drg P8604-2

ISSUE NUMBER

1

MATERIAL

PET



CAPACITY @ FILL LEVEL  
@ 20°C after 72hrs

...

CAPACITY @ BRIMFULL  
@ 20°C after 72hrs

...

NECK FINISH

**30-25 HIGH**

DESIGN WEIGHT

**56.96g**

ALTERNATIVE WEIGHTS

...

TOOLING REF

**HY13B26**

**DIMENSIONS**

ALL DIMENSIONS IN MILLIMETERS UNLESS  
OTHERWISE STATED

ALL DIMENSIONS SHOWN ARE A REPRESENTATION  
AND ARE SUBJECT TO CHANGE

UNLESS STATED GENERAL TOLERANCES  
FOR BLOWN PARTS = ±0.5 mm

UNLESS STATED GENERAL TOLERANCES  
FOR INJECTED PARTS = ±0.2mm

HEAD OFFICE

ESTERFORM PACKAGING LIMITED  
BORASTON LANE  
TENBURY WELLS  
WORCESTERSHIRE  
WR15 8LE, UK

Phone : +44 (0) 1584 810 600  
Fax : +44 (0) 1584 810 213

THIS DRAWING AND THE COPYRIGHT THEREON  
ARE THE PROPERTY OF ESTERFORM LTD AND MUST  
NOT BE REPRODUCED IN PART OR IN WHOLE OR  
PASSED ON TO OTHERS WITHOUT PERMISSION