

PRODUCT TITLE

**16g PREFORM**

DRAWING NUMBER

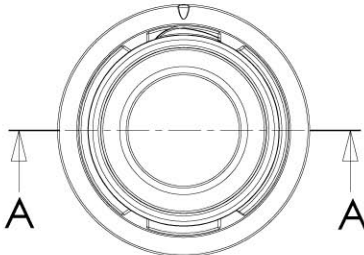
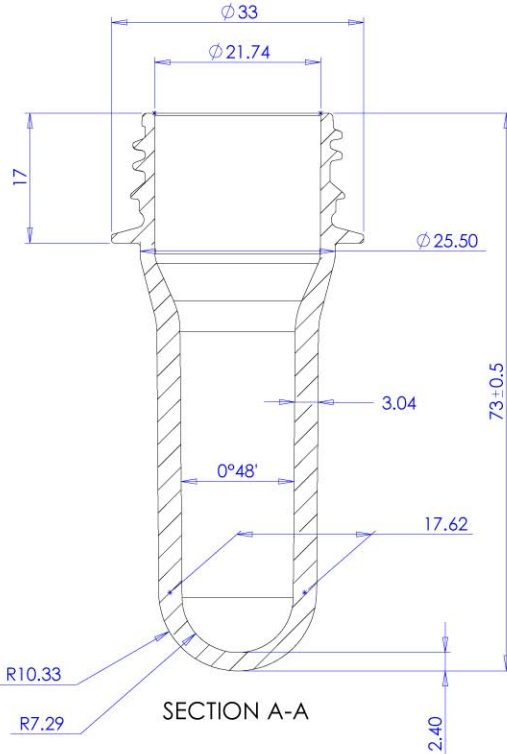
**E1828-P-01** ...

ISSUE NUMBER

2

MATERIAL

PET



**NECK ENGRAVING**  
 640243 = E1828  
 852420 = E2702

CAPACITY @ FILL LEVEL  
 @ 20°C after 72hrs ...

CAPACITY @ BRIMFULL  
 @20°C after 72hrs ...

NECK FINISH **28mm PCO 1881**  
 NECK DRAWING No **E1272-N-01 iss3**

DESIGN WEIGHT **16g**  
 ALTERNATIVE WEIGHTS ...

TOOLING REF **640243 & 852420**

**DIMENSIONS**

ALL DIMENSIONS IN MILLIMETERS UNLESS OTHERWISE STATED

ALL DIMENSIONS SHOWN ARE A REPRESENTATION AND ARE SUBJECT TO CHANGE

UNLESS STATED GENERAL TOLERANCES FOR BLOWN PARTS = ±0.5 mm

UNLESS STATED GENERAL TOLERANCES FOR INJECTED PARTS = ±0.2mm

HEAD OFFICE

ESTERFORM PACKAGING LIMITED  
 BORASTON LANE  
 TENBURY WELLS  
 WORCESTERSHIRE  
 WR15 8LE, UK

Phone : +44 (0) 1584 810 600  
 Fax : +44 (0) 1584 810 213

THIS DRAWING AND THE COPYRIGHT THEREON ARE THE PROPERTY OF ESTERFORM LTD AND MUST NOT BE REPRODUCED IN PART OR IN WHOLE OR PASSED ON TO OTHERS WITHOUT PERMISSION