

PRODUCT TITLE

20.8g PREFORM

DRAWING NUMBER

E1826-P-03 ...

ISSUE NUMBER

2

MATERIAL

PET



CAPACITY @ FILL LEVEL
@ 20°C after 72hrs ...

CAPACITY @ BRIMFUL
@ 20°C after 72hrs ...

NECK FINISH **28mm PCO 1881**

NECK DRAWING No **E1272-N-01**

DESIGN WEIGHT **20.8g**

ALTERNATIVE WEIGHTS ...

TOOLING REF **694870**

DIMENSIONS

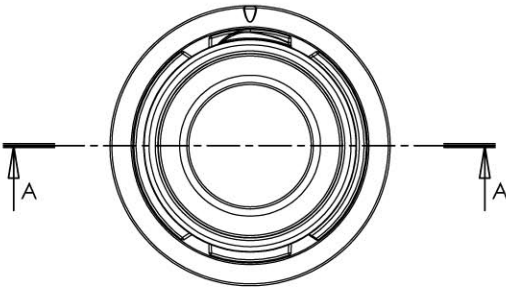
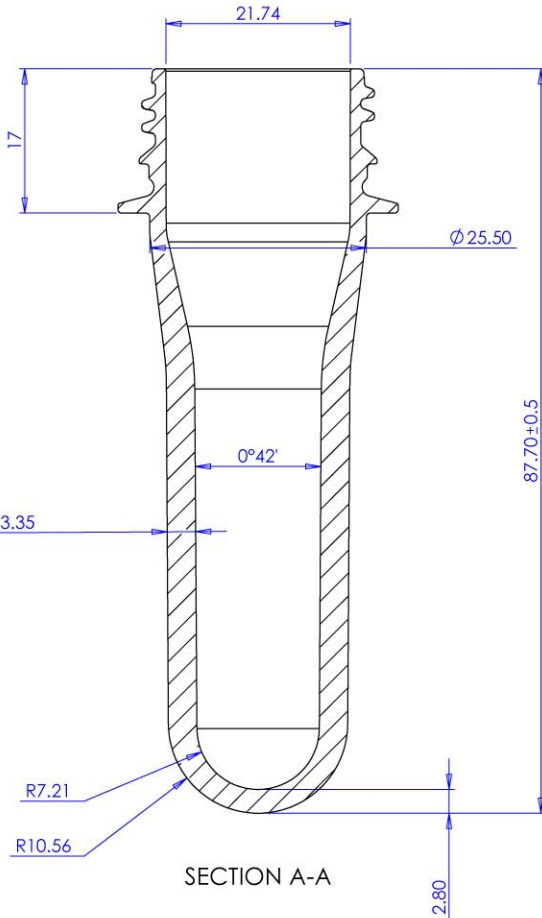
ALL DIMENSIONS IN MILLIMETERS UNLESS OTHERWISE STATED

ALL DIMENSIONS SHOWN ARE A REPRESENTATION AND ARE SUBJECT TO CHANGE

UNLESS STATED GENERAL TOLERANCES FOR BLOWN PARTS = ±0.5 mm

UNLESS STATED GENERAL TOLERANCES FOR INJECTED PARTS = ±0.2mm

THIS DRAWING AND THE COPYRIGHT THEREON ARE THE PROPERTY OF ESTERFORM LTD. AND MUST NOT BE REPRODUCED IN PART OR IN WHOLE OR PASSED ON TO OTHERS WITHOUT PERMISSION



HEAD OFFICE

ESTERFORM PACKAGING LIMITED
BORASTON LANE
TENBURY WELLS
WORCESTERSHIRE
WR15 8LE, UK

Phone : +44 (0) 1584 810 600
Fax : +44 (0) 1584 810 213