

PRODUCT TITLE

**30.5g CONICAL PREFORM**

DRAWING NUMBER

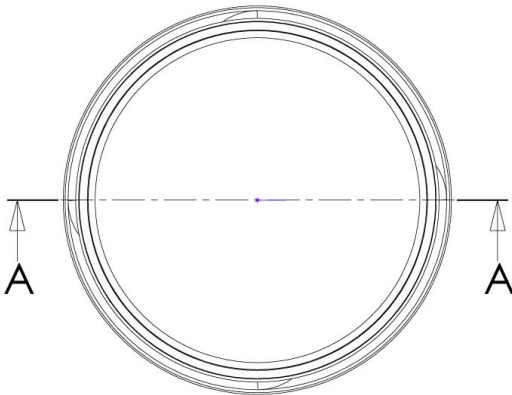
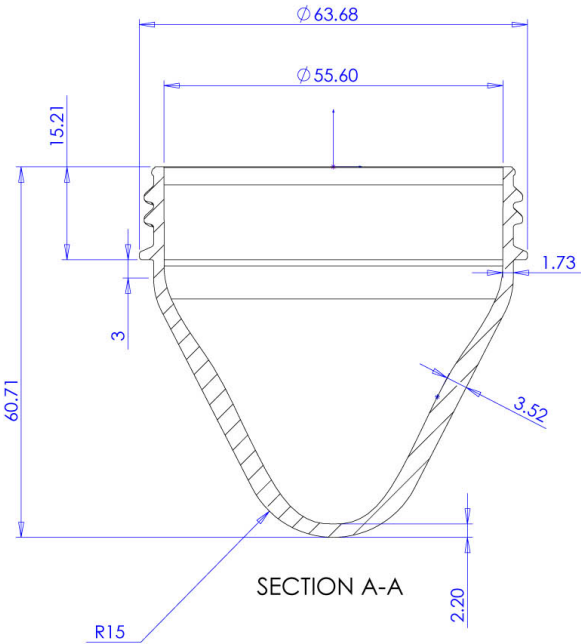
**E1786-P-02** ...

ISSUE NUMBER

**3**

MATERIAL

**PET**



CAPACITY @ FILL LEVEL  
@ 20°C after 72hrs

...

CAPACITY @ BRIMFUL  
@20°C after 72hrs

...

NECK FINISH

**63mm ULTRA**

NECK DRAWING No

**E1388-N-02 iss5**

DESIGN WEIGHT

**30.5g**

ALTERNATIVE WEIGHTS

...

TOOLING REF

**24 cav DMS100203**

**DIMENSIONS**

ALL DIMENSIONS IN MILLIMETERS UNLESS OTHERWISE STATED

ALL DIMENSIONS SHOWN ARE A REPRESENTATION AND ARE SUBJECT TO CHANGE

UNLESS STATED GENERAL TOLERANCES FOR BLOWN PARTS =  $\pm 0.5$  mm

UNLESS STATED GENERAL TOLERANCES FOR INJECTED PARTS =  $\pm 0.2$  mm

HEAD OFFICE

ESTERFORM PACKAGING LIMITED  
BORASTON LANE  
TENBURY WELLS  
WORCESTERSHIRE  
WR15 8LE, UK

Phone : +44 (0) 1584 810 600  
Fax : +44 (0) 1584 810 213

THIS DRAWING AND THE COPYRIGHT THEREON ARE THE PROPERTY OF ESTERFORM LTD AND MUST NOT BE REPRODUCED IN PART OR IN WHOLE OR PASSED ON TO OTHERS WITHOUT PERMISSION