



PET Containers for Food Products

250ml to 710ml

May 2011

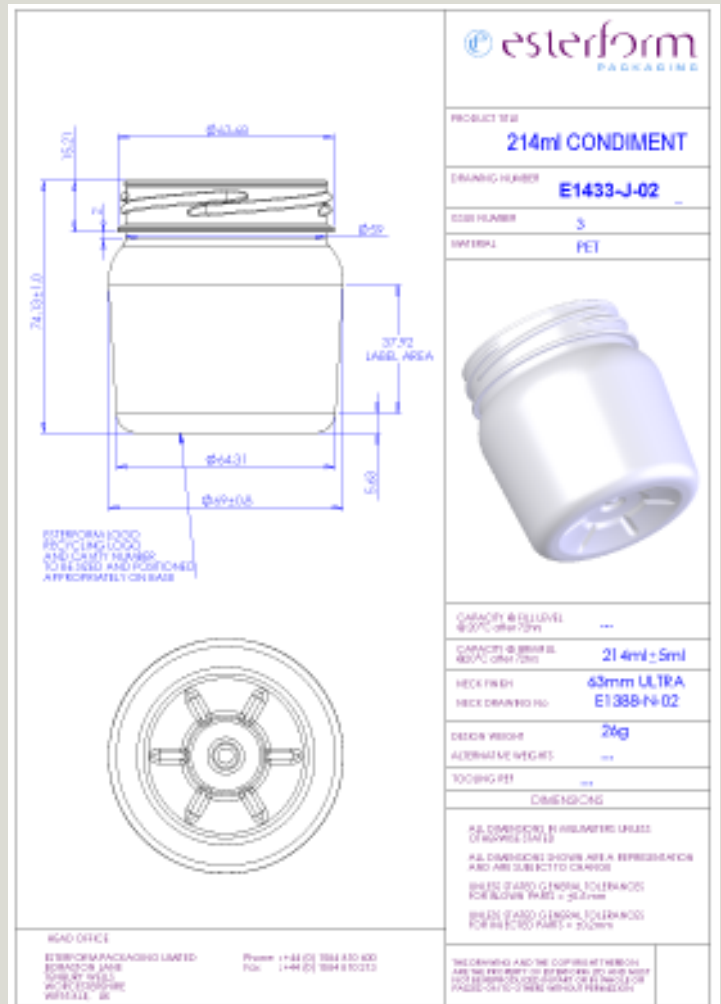
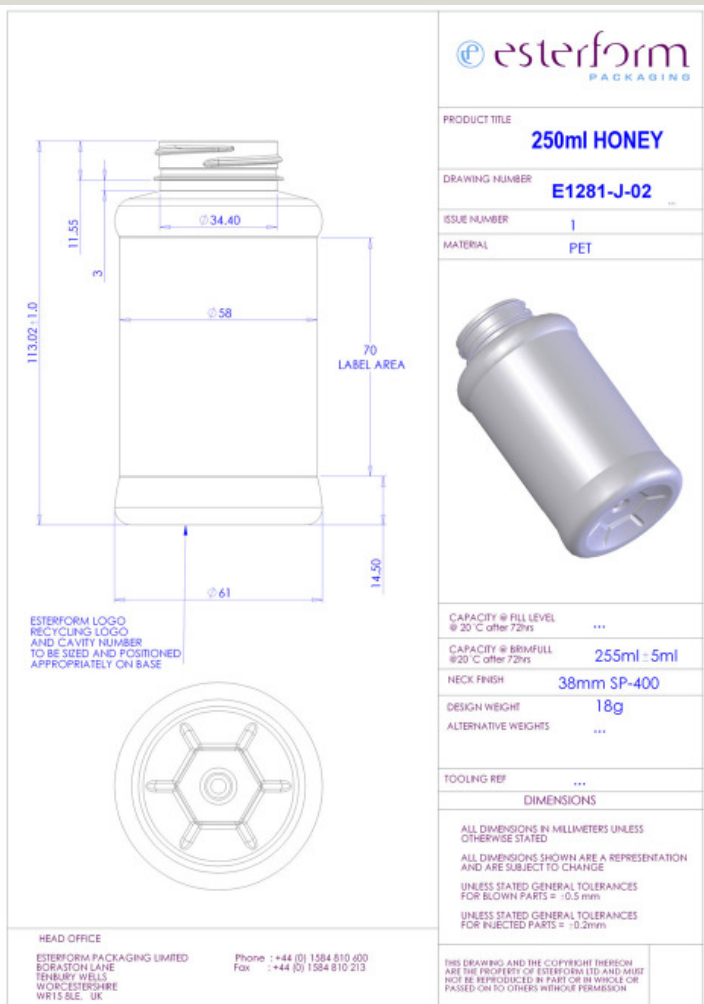
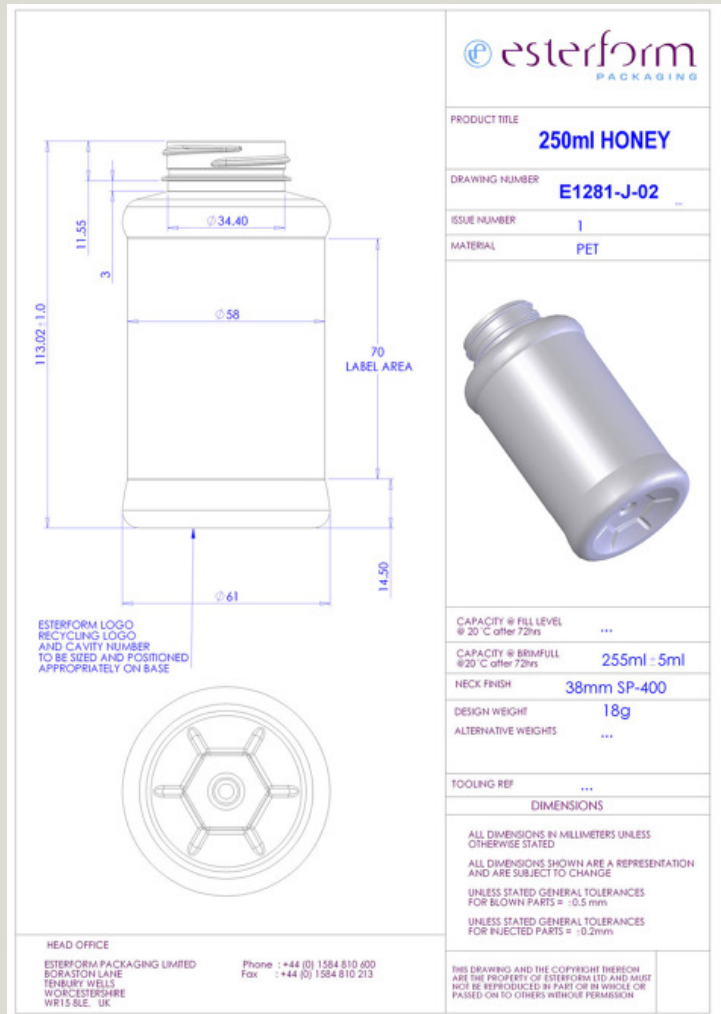
Esterform Packaging Limited

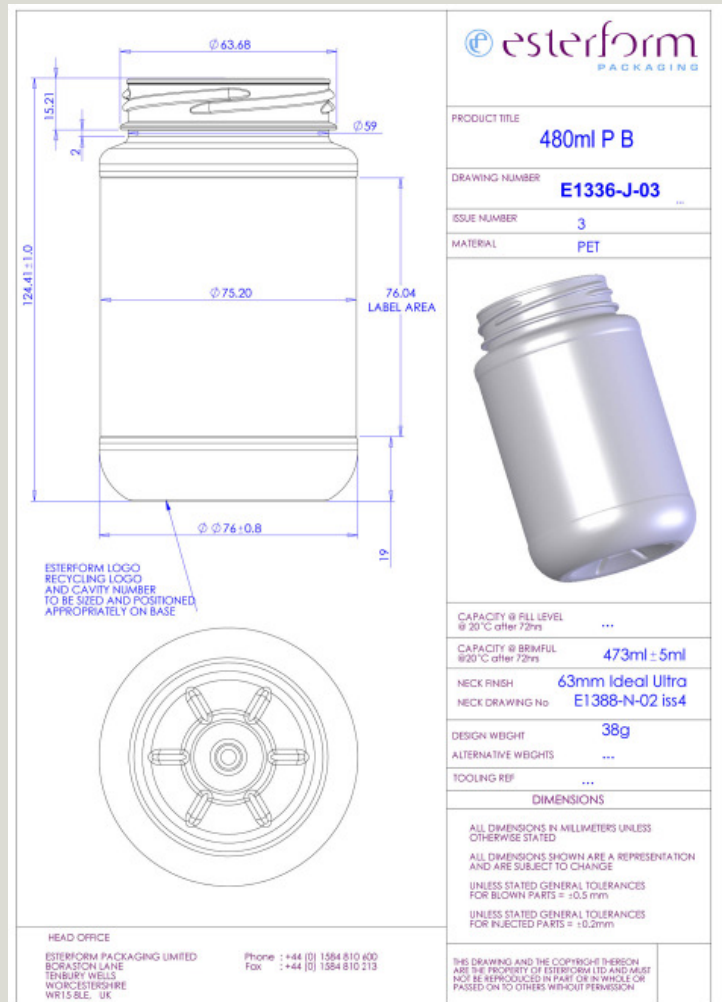
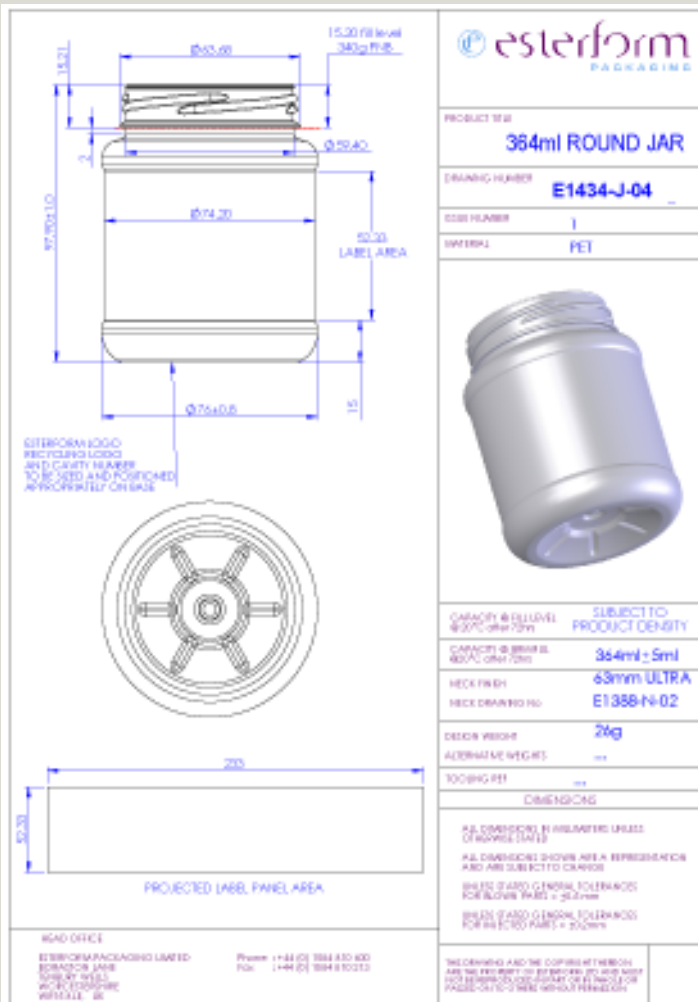
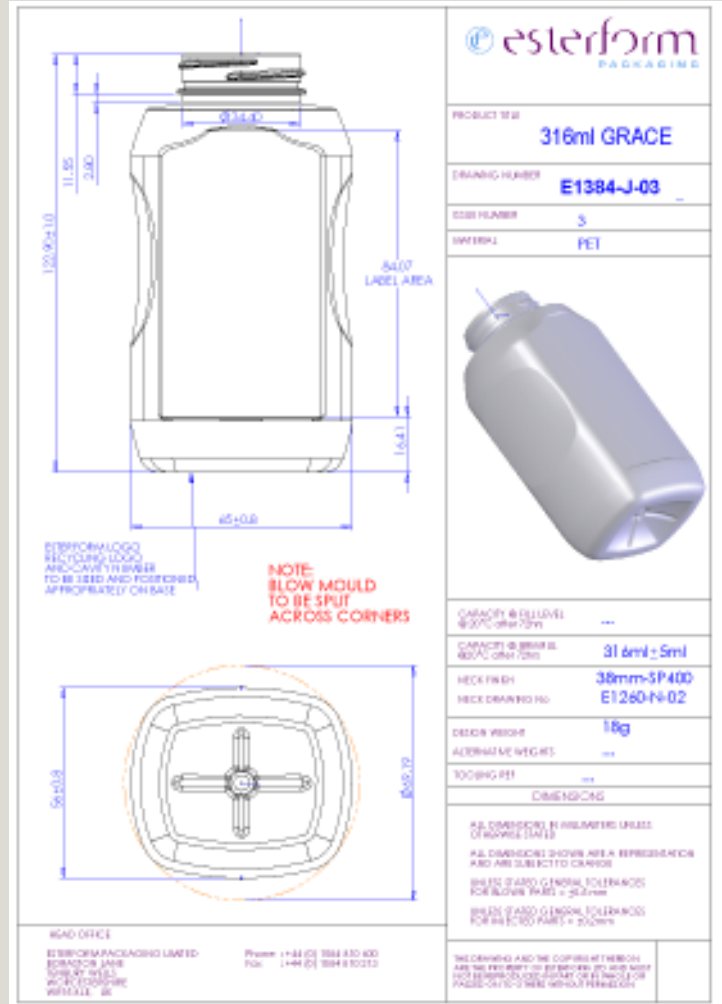
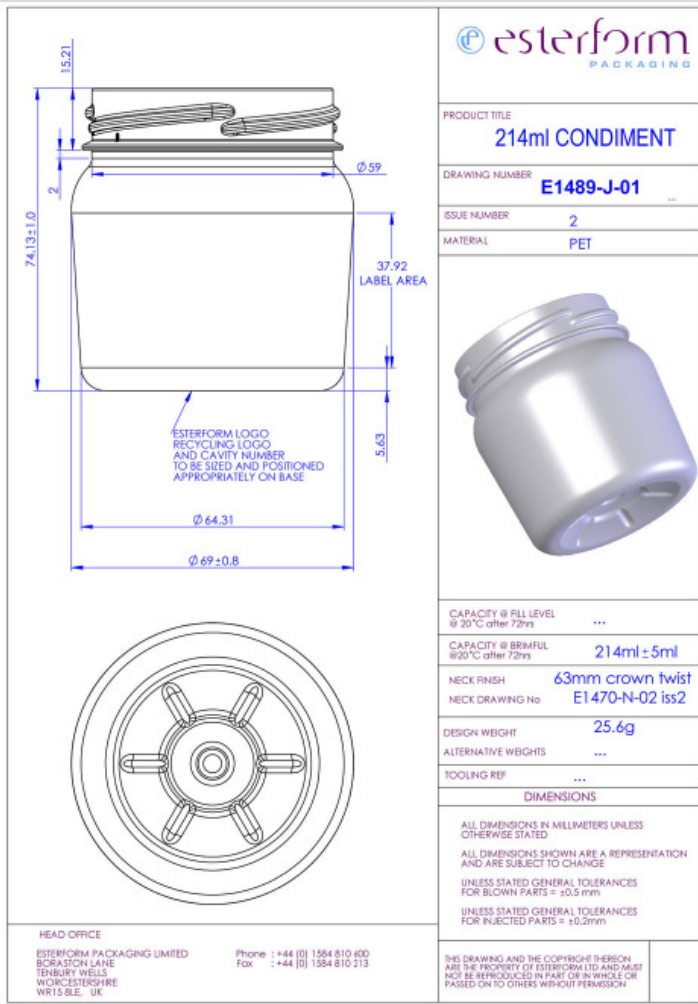
Head Office: Boraston Lane, Tenbury Wells, Worcestershire, WR15 8LE, UK
T: +44 (0) 1584 810 600

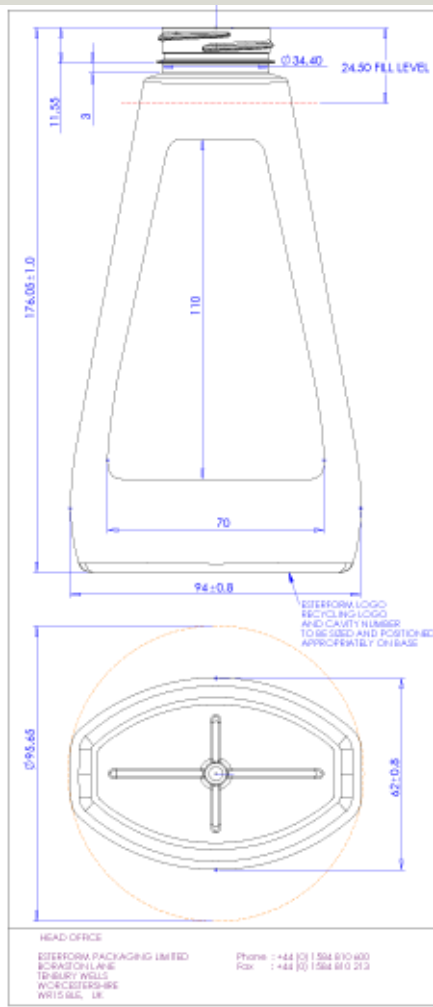
Leeds Site: Royds Farm Road, Leeds LS12 6DX UK
T: +44 (0) 113 289 0600 **E:** contact@esterform.com

Visit our new Website on

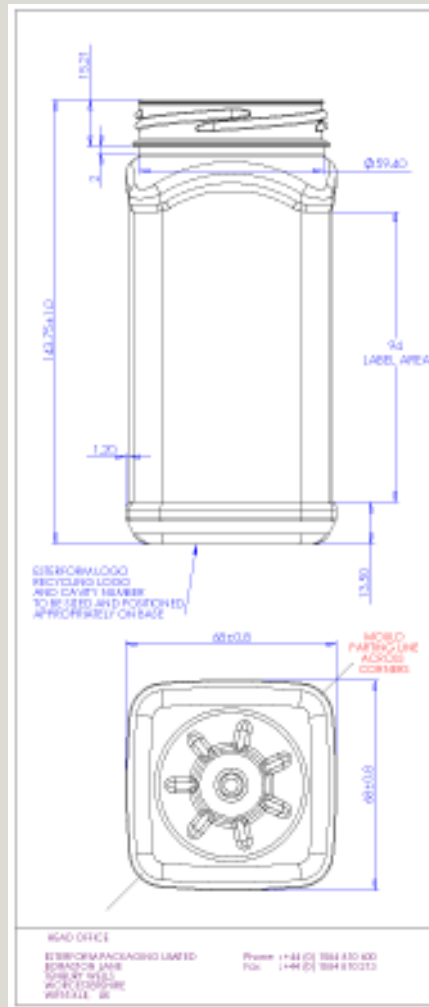
www.esterform.com



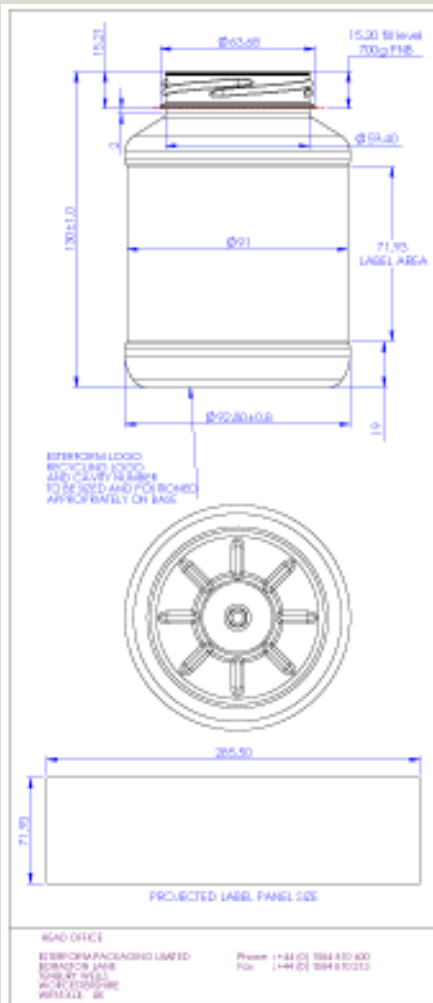




esterform PACKAGING	
PRODUCT TITLE	500ml SILVER
DRAWING NUMBER	E1416-B-02
EDGE NUMBER	2
MATERIAL	PET
CAPACITY @ FILL LEVEL @ 20°C (GRV 72%)	511ml ± 5ml
CAPACITY @ BRIM @ 20°C (GRV 72%)	539ml ± 5ml
NECK FINISH	38mm SP-400
NECK DRAWING NO.	E1260-N-02
DESIGN WEIGHT	29g
ALTERNATIVE WEIGHTS	---
TOOLING REF.	---
DIMENSIONS	
ALL DIMENSIONS IN MILLIMETERS UNLESS OTHERWISE STATED	
ALL DIMENSIONS SHOWN ARE A REPRESENTATION AND ARE SUBJECT TO CHANGE	
UNLESS STATED GENERAL TOLERANCES FOR BLOWN PARTS = ±0.5mm	
UNLESS STATED GENERAL TOLERANCES FOR INJECTED PARTS = ±0.2mm	
THIS DRAWING AND THE COPYRIGHT THEREON ARE THE PROPERTY OF ESTERFORM AND SHOULD NOT BE REPRODUCED IN PART OR IN WHOLE OR PASSED ON TO OTHERS WITHOUT PERMISSION	
HEAD OFFICE ESTERFORM PACKAGING LIMITED Phone: +44 (0) 1584 810 600 BORASTON LANE Fax: +44 (0) 1584 810 213 TENBURY WELLS WICACRE, STURGE WREXHAM, UK	



esterform PACKAGING	
PRODUCT TITLE	500g JALAPENO
DRAWING NUMBER	E1475-J-02
EDGE NUMBER	3
MATERIAL	PET
CAPACITY @ FILL LEVEL @ 20°C (GRV 72%)	---
CAPACITY @ BRIM @ 20°C (GRV 72%)	522 ± 5ml ± expected 70% DEXE
NECK FINISH	63mm ULTRA
NECK DRAWING NO.	E1388-N-02
DESIGN WEIGHT	36g
ALTERNATIVE WEIGHTS	---
TOOLING REF.	---
DIMENSIONS	
ALL DIMENSIONS IN MILLIMETERS UNLESS OTHERWISE STATED	
ALL DIMENSIONS SHOWN ARE A REPRESENTATION AND ARE SUBJECT TO CHANGE	
UNLESS STATED GENERAL TOLERANCES FOR BLOWN PARTS = ±0.5mm	
UNLESS STATED GENERAL TOLERANCES FOR INJECTED PARTS = ±0.2mm	
THIS DRAWING AND THE COPYRIGHT THEREON ARE THE PROPERTY OF ESTERFORM AND SHOULD NOT BE REPRODUCED IN PART OR IN WHOLE OR PASSED ON TO OTHERS WITHOUT PERMISSION	
HEAD OFFICE ESTERFORM PACKAGING LIMITED Phone: +44 (0) 1584 810 600 BORASTON LANE Fax: +44 (0) 1584 810 213 TENBURY WELLS WICACRE, STURGE WREXHAM, UK	



esterform PACKAGING	
PRODUCT TITLE	710ml ROUND JAR
DRAWING NUMBER	E1653-J-02
EDGE NUMBER	1
MATERIAL	PET
CAPACITY @ FILL LEVEL @ 20°C (GRV 72%)	SUBJECT TO PRODUCT DENSITY
CAPACITY @ BRIM @ 20°C (GRV 72%)	710ml ± 8ml
NECK FINISH	63mm ULTRA
NECK DRAWING NO.	E1388-N-02
DESIGN WEIGHT	36g
ALTERNATIVE WEIGHTS	---
TOOLING REF.	---
DIMENSIONS	
ALL DIMENSIONS IN MILLIMETERS UNLESS OTHERWISE STATED	
ALL DIMENSIONS SHOWN ARE A REPRESENTATION AND ARE SUBJECT TO CHANGE	
UNLESS STATED GENERAL TOLERANCES FOR BLOWN PARTS = ±0.5mm	
UNLESS STATED GENERAL TOLERANCES FOR INJECTED PARTS = ±0.2mm	
THIS DRAWING AND THE COPYRIGHT THEREON ARE THE PROPERTY OF ESTERFORM AND SHOULD NOT BE REPRODUCED IN PART OR IN WHOLE OR PASSED ON TO OTHERS WITHOUT PERMISSION	
HEAD OFFICE ESTERFORM PACKAGING LIMITED Phone: +44 (0) 1584 810 600 BORASTON LANE Fax: +44 (0) 1584 810 213 TENBURY WELLS WICACRE, STURGE WREXHAM, UK	

Head Office:

Esterform Packaging Limited
 Boraston Lane
 TENBURY WELLS
 WR15 8LE
 UK
 Telephone: +44 (0) 1584 810 600
 Fax : +44 (0) 1584 810 213

Leeds Site:

Esterform Packaging Limited
 6 Royds Farm Road
 LEEDS
 LS12 6DX
 UK
 Telephone: +44 (0) 113 289 0600
 Fax : +44 (0) 113 289 0700

Connections:

Website: www.esterform.com
 Email : contact@esterform.com