

PRODUCT TITLE

**250ml FGD**

DRAWING NUMBER

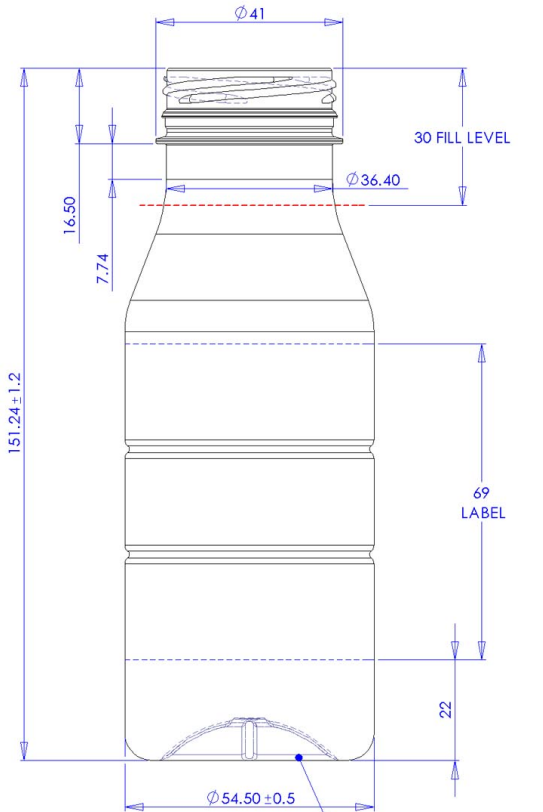
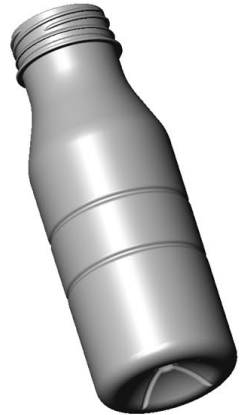
**E095-B-04**

ISSUE NUMBER

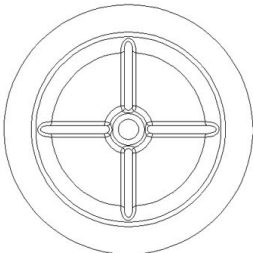
1

MATERIAL

PET



ESTERFORM LOGO  
RECYCLING LOGO  
AND CAVITY NUMBER  
TO BE SIZED AND POSITIONED  
APPROPRIATELY ON BASE



CAPACITY @ FILL LEVEL  
@ 20 °C after 72hrs 250ml  $\pm 5$ ml

CAPACITY @ BRIMFULL  
@ 20 °C after 72hrs 276ml  $\pm 5$ ml

NECK FINISH 38mm UCS

DESIGN WEIGHT 18g

ALTERNATIVE WEIGHTS 20g

TOOLING REF

...

**DIMENSIONS**

ALL DIMENSIONS IN MILLIMETERS UNLESS OTHERWISE STATED

ALL DIMENSIONS SHOWN ARE A REPRESENTATION AND ARE SUBJECT TO CHANGE

UNLESS STATED GENERAL TOLERANCES FOR BLOWN PARTS =  $\pm 0.5$  mm

UNLESS STATED GENERAL TOLERANCES FOR INJECTED PARTS =  $\pm 0.2$  mm

HEAD OFFICE

ESTERFORM PACKAGING LIMITED  
BORASTON LANE  
TENBURY WELLS  
WORCESTERSHIRE  
WR15 8LE, UK

Phone : +44 (0) 1584 810 600  
Fax : +44 (0) 1584 810 213

THIS DRAWING AND THE COPYRIGHT THEREON ARE THE PROPERTY OF ESTERFORM LTD AND MUST NOT BE REPRODUCED IN PART OR IN WHOLE OR PASSED ON TO OTHERS WITHOUT PERMISSION