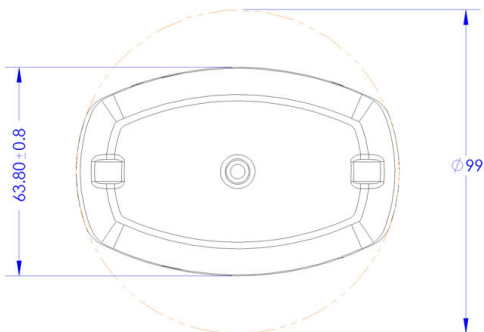


ESTERFORM LOGO  
RECYCLING LOGO  
AND CAVITY NUMBER  
TO BE SIZED AND POSITIONED  
APPROPRIATELY ON BASE



PRODUCT TITLE

**750ml TRIGGER**

DRAWING NUMBER

**E1128-B-03**

ISSUE NUMBER

**7**

MATERIAL

**PET**



CAPACITY @ FILL LEVEL  
@ 20 °C after 72hrs

...

CAPACITY @ BRIMFULL  
@20 °C after 72hrs

**819ml ± 10ml**

NECK FINISH

**28mm SP-410 with Anti Backoff**

DESIGN WEIGHT

**40g**

ALTERNATIVE WEIGHTS

...

TOOLING REF

...

#### DIMENSIONS

ALL DIMENSIONS IN MILLIMETERS UNLESS  
OTHERWISE STATED

ALL DIMENSIONS SHOWN ARE A REPRESENTATION  
AND ARE SUBJECT TO CHANGE

UNLESS STATED GENERAL TOLERANCES  
FOR BLOWN PARTS = ±0.5 mm

UNLESS STATED GENERAL TOLERANCES  
FOR INJECTED PARTS = ±0.2mm

HEAD OFFICE

ESTERFORM PACKAGING LIMITED  
BORASTON LANE  
TENBURY WELLS  
WORCESTERSHIRE  
WR15 8LE, UK

Phone : +44 (0) 1584 810 600  
Fax : +44 (0) 1584 810 213

THIS DRAWING AND THE COPYRIGHT THEREON  
ARE THE PROPERTY OF ESTERFORM LTD AND MUST  
NOT BE REPRODUCED IN PART OR IN WHOLE OR  
PASSED ON TO OTHERS WITHOUT PERMISSION