

PRODUCT TITLE

5000ml RECTANGULAR

DRAWING NUMBER

E110-B-01

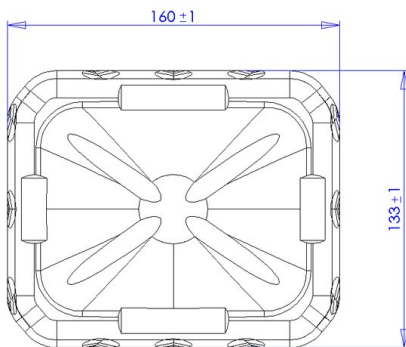
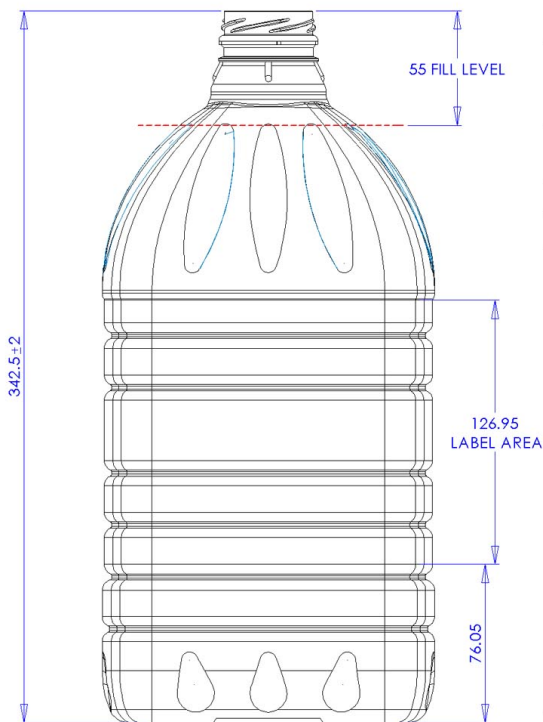
ref PET PLAS drqj B0008 iss 1

ISSUE NUMBER

1

MATERIAL

PET



CAPACITY @ FILL LEVEL @ 20 °C after 72hrs 5050ml ±50ml

CAPACITY @ BRIMFULL @20 °C after 72hrs 5170ml ±50ml

NECK FINISH 43mm MTE

DESIGN WEIGHT 105g

ALTERNATIVE WEIGHTS ...

TOOLING REF SO54220

DIMENSIONS

ALL DIMENSIONS IN MILLIMETERS UNLESS OTHERWISE STATED

ALL DIMENSIONS SHOWN ARE A REPRESENTATION AND ARE SUBJECT TO CHANGE

UNLESS STATED GENERAL TOLERANCES FOR BLOWN PARTS = ±0.5 mm

UNLESS STATED GENERAL TOLERANCES FOR INJECTED PARTS = ±0.2mm

HEAD OFFICE

ESTERFORM PACKAGING LIMITED
BORASTON LANE
TENBURY WELLS
WORCESTERSHIRE
WR15 8LE, UK

Phone : +44 (0) 1584 810 600
Fax : +44 (0) 1584 810 213

THIS DRAWING AND THE COPYRIGHT THEREON ARE THE PROPERTY OF ESTERFORM LTD AND MUST NOT BE REPRODUCED IN PART OR IN WHOLE OR PASSED ON TO OTHERS WITHOUT PERMISSION