

PRODUCT TITLE

500ml BBQ

DRAWING NUMBER

E715-B-03

ref drg E425-B-02 for CRC certificate

ISSUE NUMBER

1

MATERIAL

PET



CAPACITY @ FILL LEVEL
@ 20 °C after 72hrs

...

CAPACITY @ BRIMFULL
@20 °C after 72hrs

541ml ±5ml

NECK FINISH

28mm SP-410

DESIGN WEIGHT

32g

ALTERNATIVE WEIGHTS

36g
33.5g

TOOLING REF

...

DIMENSIONS

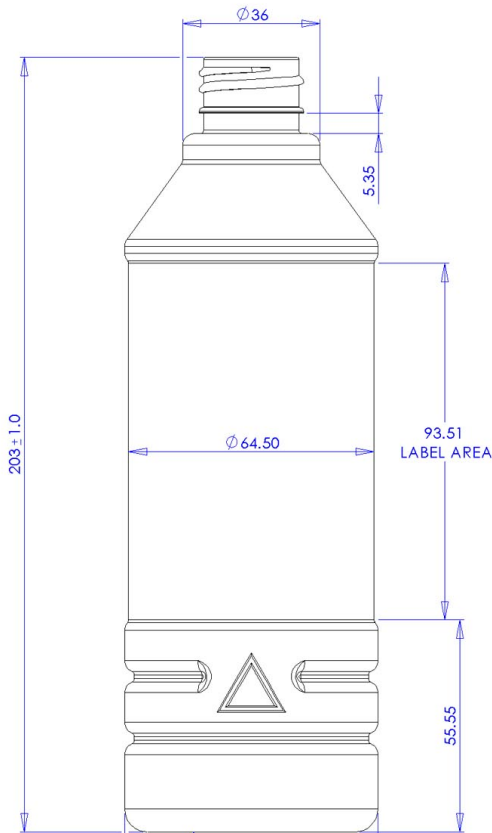
ALL DIMENSIONS IN MILLIMETERS UNLESS OTHERWISE STATED

ALL DIMENSIONS SHOWN ARE A REPRESENTATION AND ARE SUBJECT TO CHANGE

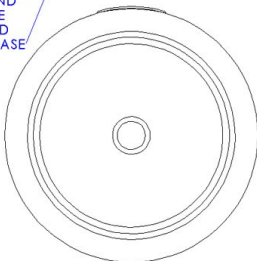
UNLESS STATED GENERAL TOLERANCES FOR BLOWN PARTS = ±0.5 mm

UNLESS STATED GENERAL TOLERANCES FOR INJECTED PARTS = ±0.2mm

THIS DRAWING AND THE COPYRIGHT THEREON ARE THE PROPERTY OF ESTERFORM LTD AND MUST NOT BE REPRODUCED IN PART OR IN WHOLE OR PASSED ON TO OTHERS WITHOUT PERMISSION



ESTERFORM LOGO
VOLUME: 500ml
RECYCLING LOGO AND
CAVITY NUMBER TO BE
SIZED AND POSITIONED
APPROPRIATELY ON BASE



HEAD OFFICE

ESTERFORM PACKAGING LIMITED
BORASTON LANE
TENBURY WELLS
WORCESTERSHIRE
WR15 8LE, UK

Phone : +44 (0) 1584 810 600
Fax : +44 (0) 1584 810 213