

PRODUCT TITLE

2000ml WHITE SPIRIT

DRAWING NUMBER

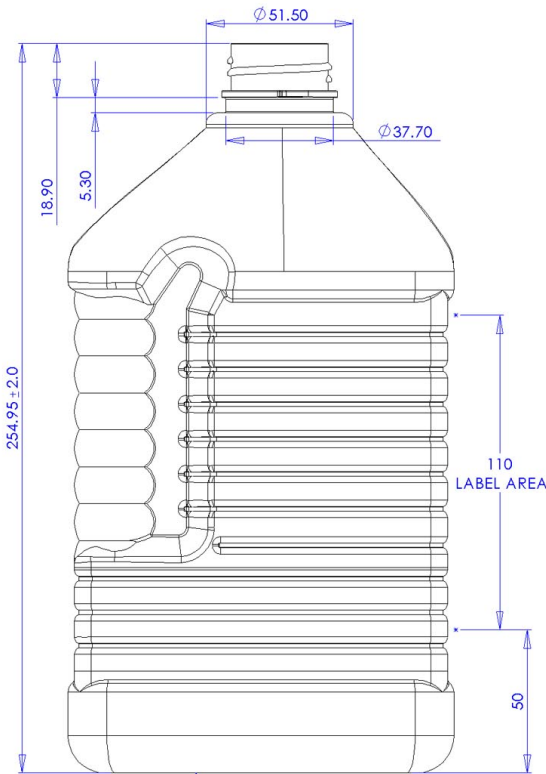
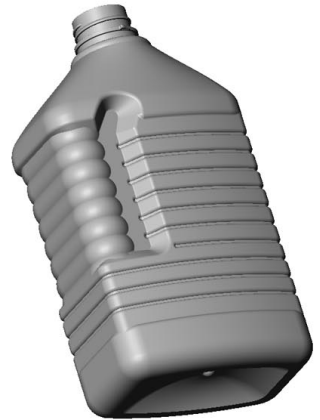
E546-B-02

ISSUE NUMBER

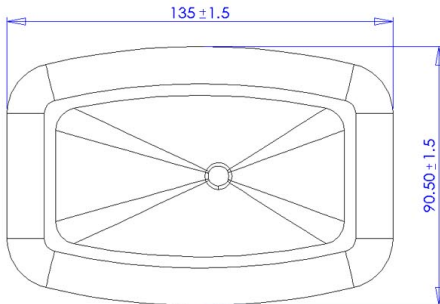
2

MATERIAL

PET



ESTERFORM LOGO
VOLUME: 2000ml
RECYCLING LOGO
TO BE SIZED AND POSITIONED
APPROPRIATELY ON BASE



CAPACITY @ FILL LEVEL
@ 20 °C after 72hrs

...

CAPACITY @ BRIMFULL
@ 20 °C after 72hrs

2105ml ± 30ml

NECK FINISH

38mm SYMPLOC

DESIGN WEIGHT

74g

ALTERNATIVE WEIGHTS

...

TOOLING REF

...

DIMENSIONS

ALL DIMENSIONS IN MILLIMETERS UNLESS OTHERWISE STATED

ALL DIMENSIONS SHOWN ARE A REPRESENTATION AND ARE SUBJECT TO CHANGE

UNLESS STATED GENERAL TOLERANCES FOR BLOWN PARTS = ±0.5 mm

UNLESS STATED GENERAL TOLERANCES FOR INJECTED PARTS = ±0.2mm

HEAD OFFICE

ESTERFORM PACKAGING LIMITED
BORASTON LANE
TENBURY WELLS
WORCESTERSHIRE
WR15 8LE, UK

Phone : +44 (0) 1584 810 600
Fax : +44 (0) 1584 810 213

THIS DRAWING AND THE COPYRIGHT THEREON ARE THE PROPERTY OF ESTERFORM LTD AND MUST NOT BE REPRODUCED IN PART OR IN WHOLE OR PASSED ON TO OTHERS WITHOUT PERMISSION