

PRODUCT TITLE

500ml HANDWASH

DRAWING NUMBER

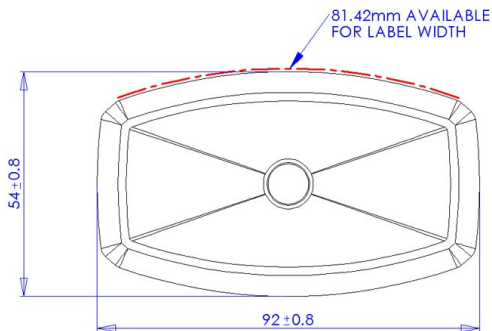
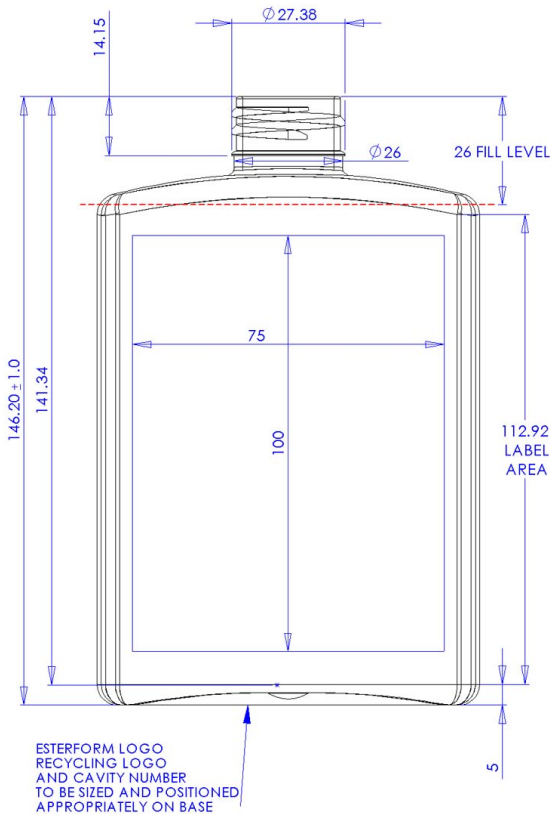
E171-B-03

ISSUE NUMBER

4

MATERIAL

PET



CAPACITY @ FILL LEVEL @ 20 °C after 72hrs

505ml \pm 10ml

CAPACITY @ BRIMFULL @20 °C after 72hrs

535ml \pm 10ml

NECK FINISH

28mm SP-410

DESIGN WEIGHT

33.5g

ALTERNATIVE WEIGHTS

...

TOOLING REF

...

DIMENSIONS

ALL DIMENSIONS IN MILLIMETERS UNLESS OTHERWISE STATED

ALL DIMENSIONS SHOWN ARE A REPRESENTATION AND ARE SUBJECT TO CHANGE

 UNLESS STATED GENERAL TOLERANCES FOR BLOWN PARTS = ± 0.5 mm

 UNLESS STATED GENERAL TOLERANCES FOR INJECTED PARTS = ± 0.2 mm

HEAD OFFICE

 ESTERFORM PACKAGING LIMITED
 BORASTON LANE
 TENBURY WELLS
 WORCESTERSHIRE
 WR15 8LE, UK

 Phone : +44 (0) 1584 810 600
 Fax : +44 (0) 1584 810 213

THIS DRAWING AND THE COPYRIGHT THEREON ARE THE PROPERTY OF ESTERFORM LTD AND MUST NOT BE REPRODUCED IN PART OR IN WHOLE OR PASSED ON TO OTHERS WITHOUT PERMISSION