

PRODUCT TITLE

1000ml SQUASH

DRAWING NUMBER

E985-B-01

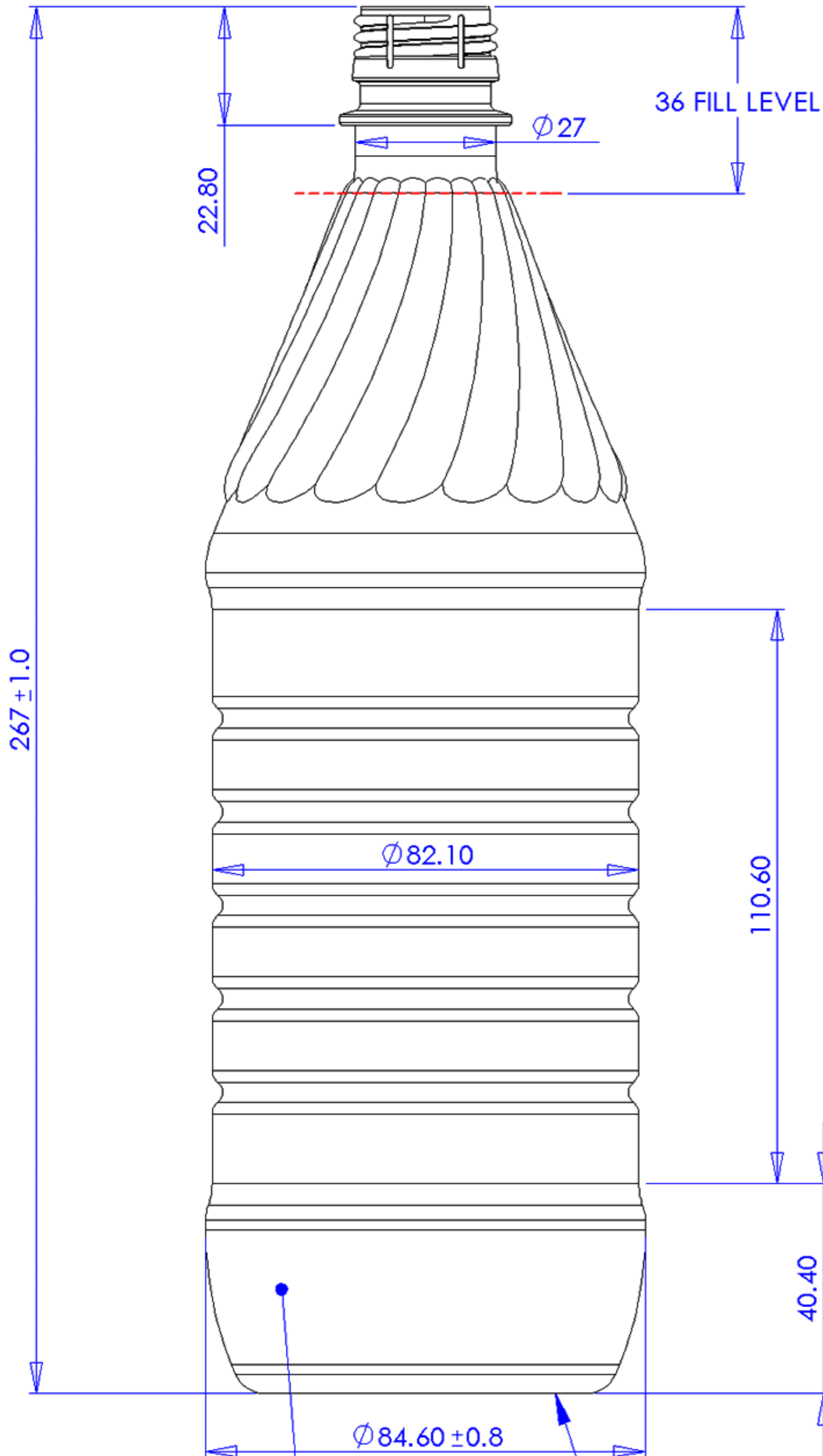
ref PET PLAS drg B0003 iss1

ISSUE NUMBER

1

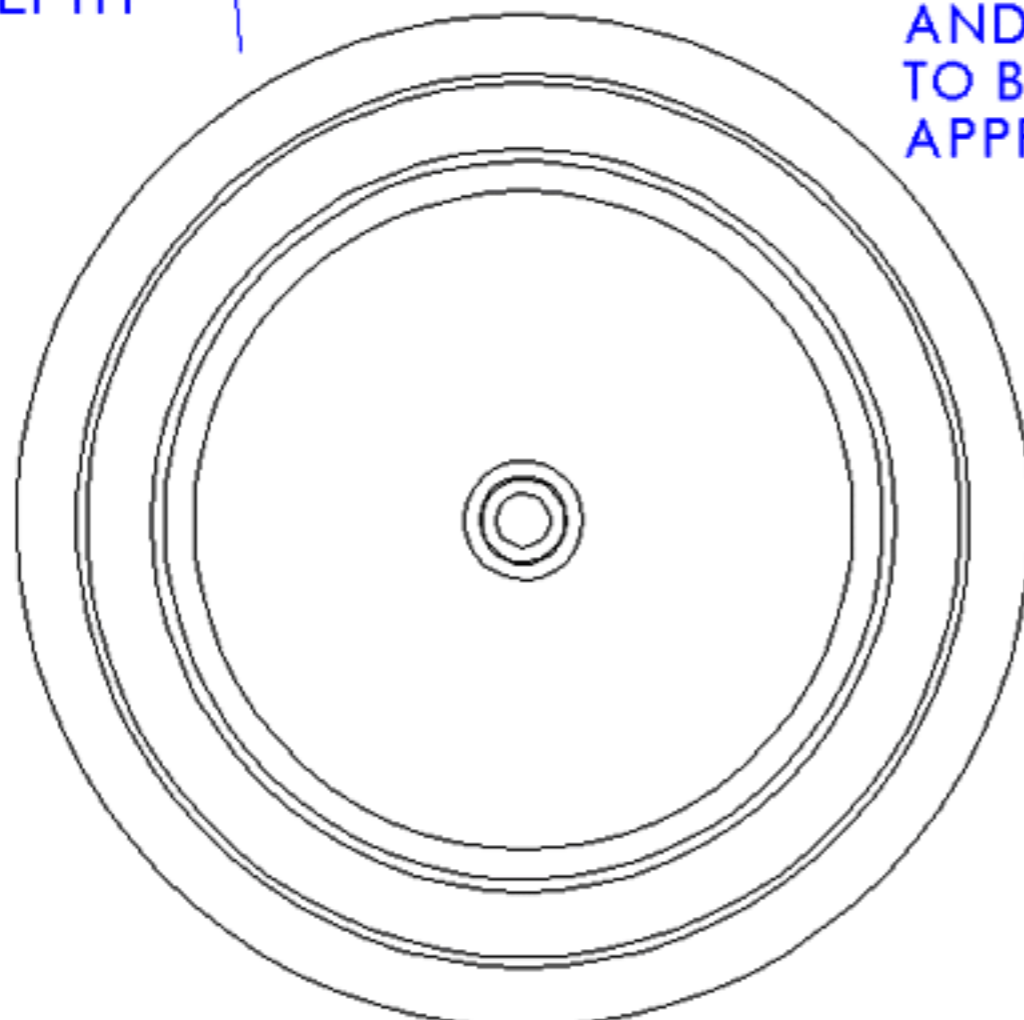
MATERIAL

PET



ROUGH SPARKED FINISH
0.25mm MAX DEPTH
OVER THIS AREA

ESTERFORM LOGO
RECYCLING LOGO
AND CAVITY NUMBER
TO BE SIZED AND POSITIONED
APPROPRIATELY ON BASE



CAPACITY @ FILL LEVEL
@ 20 °C after 72hrs 1010ml ± 10 ml

CAPACITY @ BRIMFULL
@20 °C after 72hrs 1025ml ± 10 ml

NECK FINISH 28mm BPF

DESIGN WEIGHT 34g

ALTERNATIVE WEIGHTS 38g

TOOLING REF ...

DIMENSIONS

ALL DIMENSIONS IN MILLIMETERS UNLESS OTHERWISE STATED

ALL DIMENSIONS SHOWN ARE A REPRESENTATION AND ARE SUBJECT TO CHANGE

UNLESS STATED GENERAL TOLERANCES FOR BLOWN PARTS = ± 0.5 mm

UNLESS STATED GENERAL TOLERANCES FOR INJECTED PARTS = ± 0.2 mm

HEAD OFFICE

ESTERFORM PACKAGING LIMITED
BORASTON LANE
TENBURY WELLS
WORCESTERSHIRE
WR15 8LE, UK

Phone : +44 (0) 1584 810 600
Fax : +44 (0) 1584 810 213

THIS DRAWING AND THE COPYRIGHT THEREON ARE THE PROPERTY OF ESTERFORM LTD AND MUST NOT BE REPRODUCED IN PART OR IN WHOLE OR PASSED ON TO OTHERS WITHOUT PERMISSION