

PRODUCT TITLE

**250ml STANDARD**

DRAWING NUMBER

**E956-B-01**

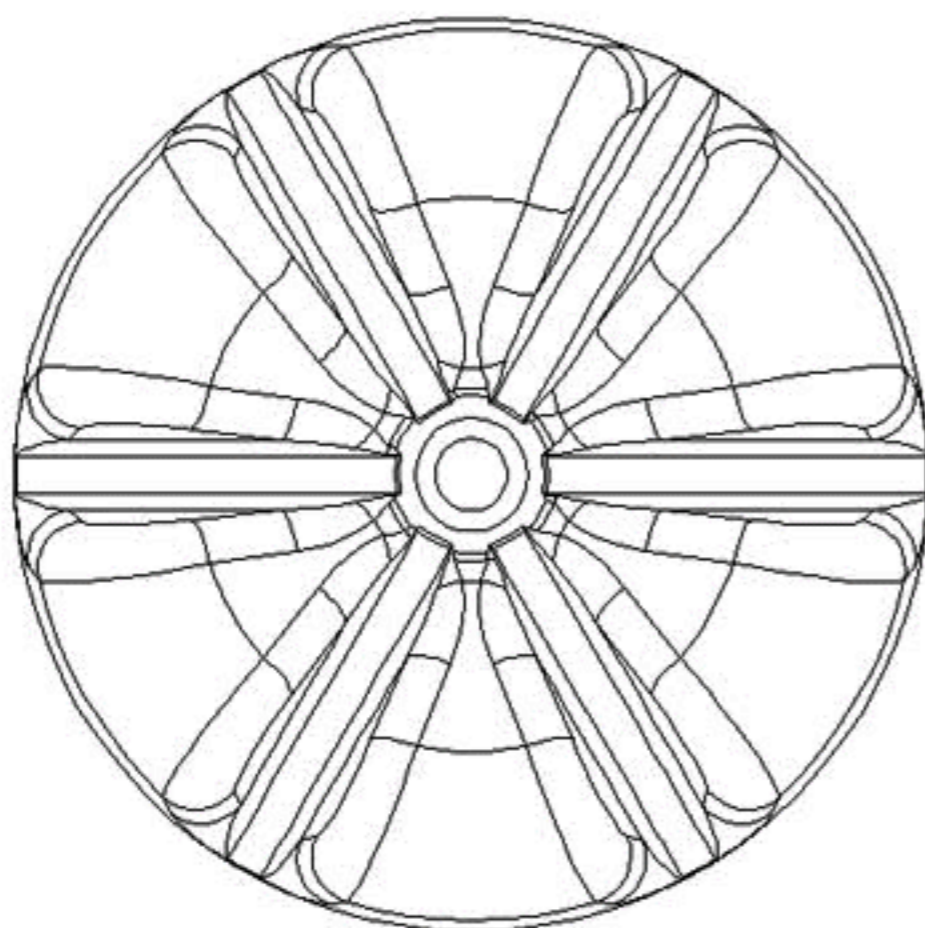
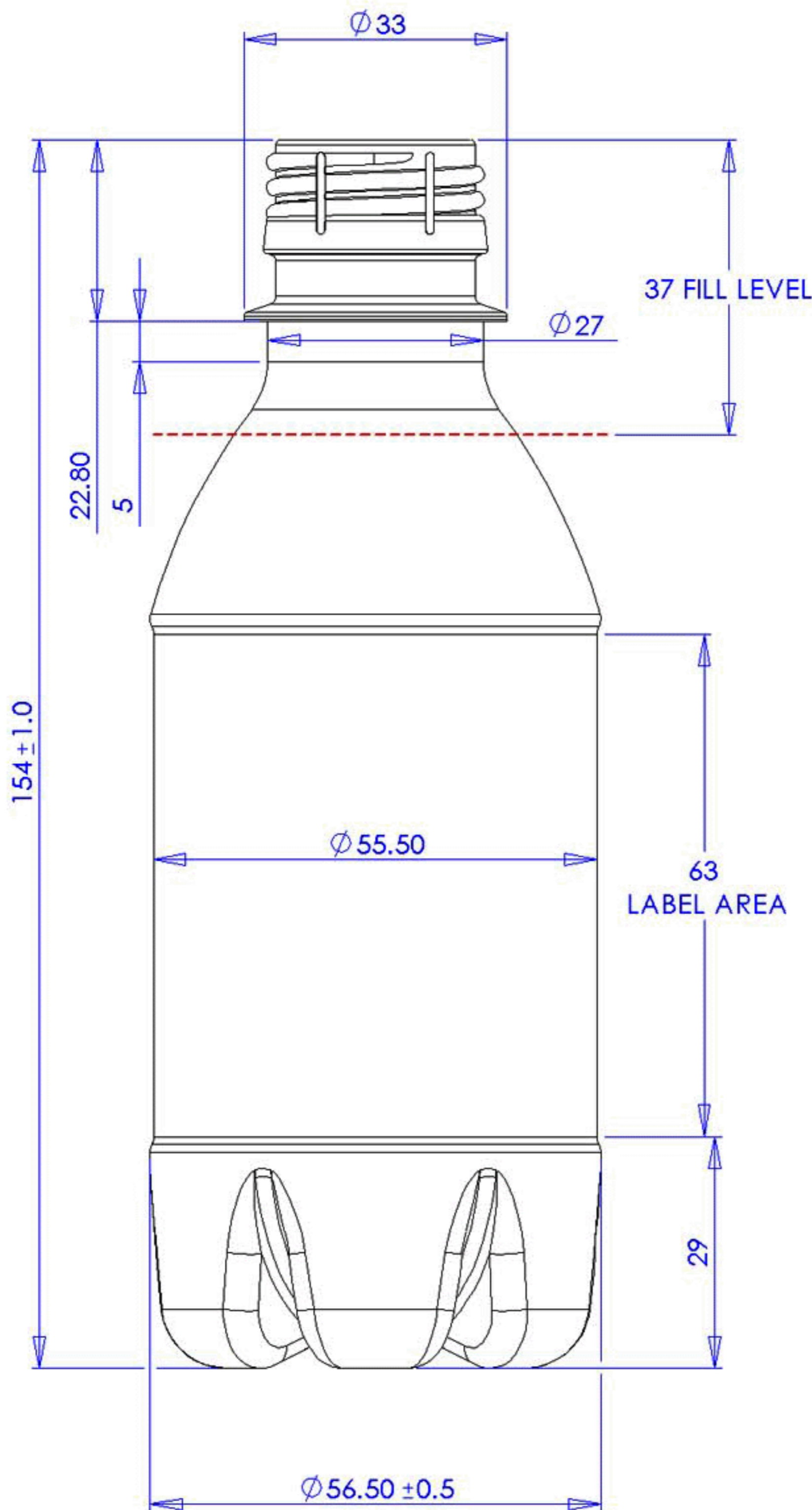
ref PET PLAS drg B0001 iss 1

ISSUE NUMBER

1

MATERIAL

PET



CAPACITY @ FILL LEVEL  
@ 20 °C after 72hrs

255ml  $\pm$  5ml

CAPACITY @ BRIMFULL  
@ 20 °C after 72hrs

267ml  $\pm$  5ml

NECK FINISH

28mm BPF

DESIGN WEIGHT

17g

ALTERNATIVE WEIGHTS

...

TOOLING REF

P5509

**DIMENSIONS**

ALL DIMENSIONS IN MILLIMETERS UNLESS OTHERWISE STATED

ALL DIMENSIONS SHOWN ARE A REPRESENTATION AND ARE SUBJECT TO CHANGE

UNLESS STATED GENERAL TOLERANCES FOR BLOWN PARTS =  $\pm 0.5$  mm

UNLESS STATED GENERAL TOLERANCES FOR INJECTED PARTS =  $\pm 0.2$ mm

**HEAD OFFICE**

ESTERFORM PACKAGING LIMITED  
BORASTON LANE  
TENBURY WELLS  
WORCESTERSHIRE  
WR15 8LE, UK

Phone : +44 (0) 1584 810 600  
Fax : +44 (0) 1584 810 213

THIS DRAWING AND THE COPYRIGHT THEREON ARE THE PROPERTY OF ESTERFORM LTD AND MUST NOT BE REPRODUCED IN PART OR IN WHOLE OR PASSED ON TO OTHERS WITHOUT PERMISSION