

PRODUCT TITLE

**2.0ltr EURO (with ribs)**

Ø26mm under collar

DRAWING NUMBER

**E908-B-01**

ref A230-B-04-2

ISSUE NUMBER

1

MATERIAL

PET



CAPACITY @ FILL LEVEL @ 20 °C after 72hrs 2015.0 ±15.0ml

CAPACITY @ BRIMFULL @ 20 °C after 72hrs ...

NECK FINISH 28.0mm BPF

DESIGN WEIGHT 44.0g

ALTERNATIVE WEIGHTS 41.5g

TOOLING REF ...

**DIMENSIONS**

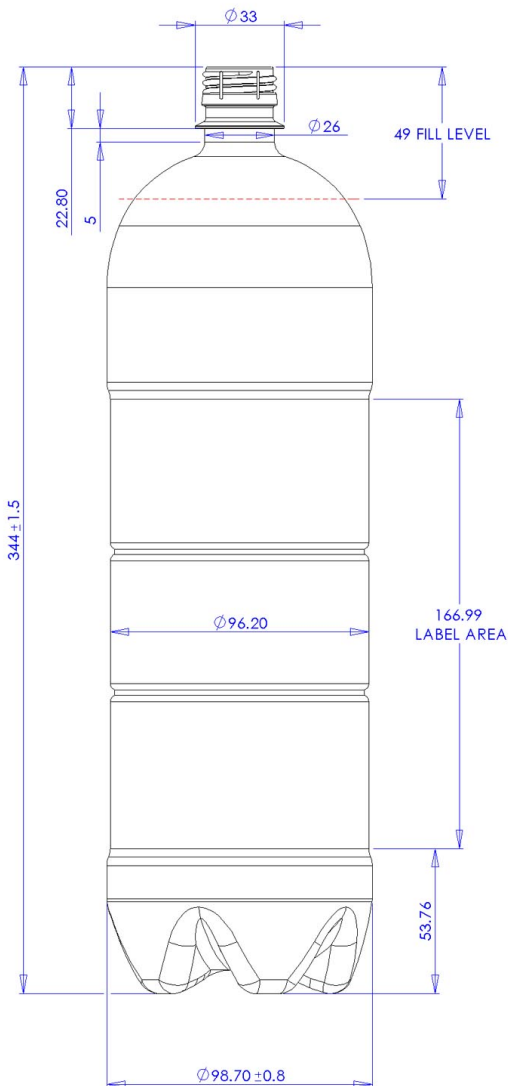
ALL DIMENSIONS IN MILLIMETERS UNLESS OTHERWISE STATED

ALL DIMENSIONS SHOWN ARE A REPRESENTATION AND ARE SUBJECT TO CHANGE

UNLESS STATED GENERAL TOLERANCES FOR BLOWN PARTS = ±0.5 mm

UNLESS STATED GENERAL TOLERANCES FOR INJECTED PARTS = ±0.2mm

THIS DRAWING AND THE COPYRIGHT THEREON ARE THE PROPERTY OF ESTERFORM LTD AND MUST NOT BE REPRODUCED IN PART OR IN WHOLE OR PASSED ON TO OTHERS WITHOUT PERMISSION



HEAD OFFICE

ESTERFORM PACKAGING LIMITED  
BORASTON LANE  
TENBURY WELLS  
WORCESTERSHIRE  
WR15 8LE, UK

Phone : +44 (0) 1584 810 600  
Fax : +44 (0) 1584 810 213