

PRODUCT TITLE

**330ml DUMPY TALL**

DRAWING NUMBER

**E501-B-02**

ISSUE NUMBER

3

MATERIAL

PET



CAPACITY @ FILL LEVEL  
@ 20 °C after 72hrs

335ml ± 5ml

CAPACITY @ BRIMFULL  
@ 20 °C after 72hrs

...

NECK FINISH

28mm BPF

DESIGN WEIGHT

25g

ALTERNATIVE WEIGHTS

17g

TOOLING REF

...

**DIMENSIONS**

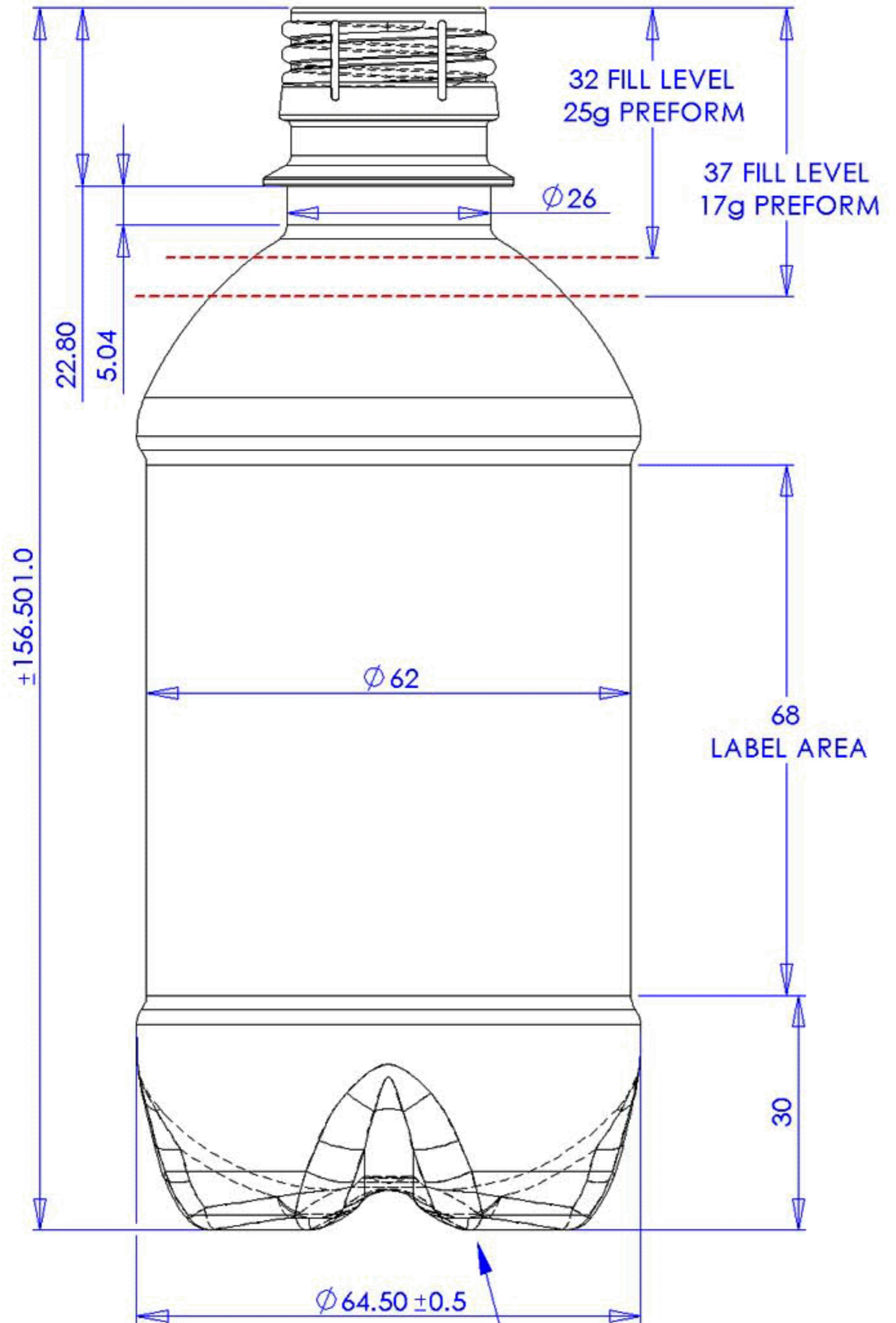
ALL DIMENSIONS IN MILLIMETERS UNLESS OTHERWISE STATED

ALL DIMENSIONS SHOWN ARE A REPRESENTATION AND ARE SUBJECT TO CHANGE

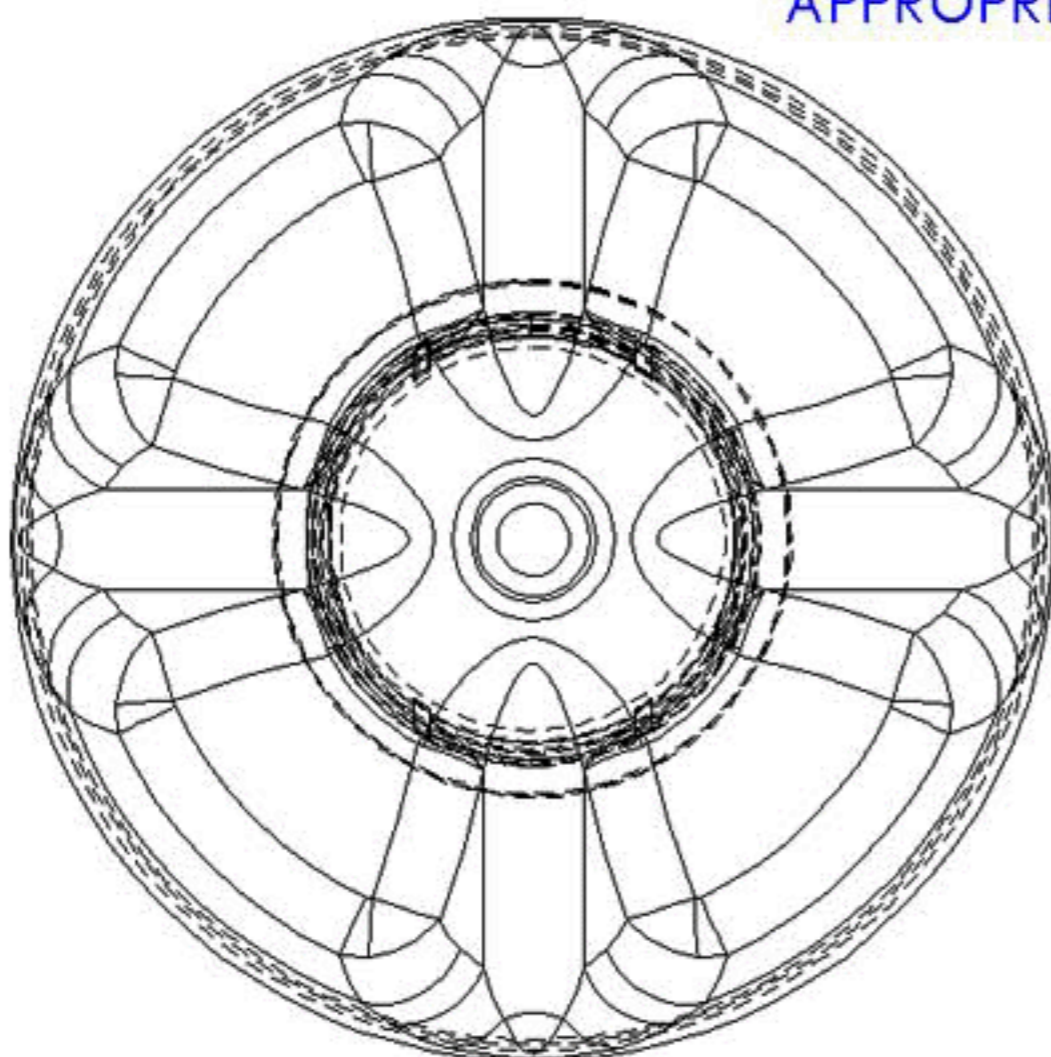
UNLESS STATED GENERAL TOLERANCES FOR BLOWN PARTS = ±0.5 mm

UNLESS STATED GENERAL TOLERANCES FOR INJECTED PARTS = ±0.2mm

THIS DRAWING AND THE COPYRIGHT THEREON ARE THE PROPERTY OF ESTERFORM LTD AND MUST NOT BE REPRODUCED IN PART OR IN WHOLE OR PASSED ON TO OTHERS WITHOUT PERMISSION



ESTERFORM LOGO  
RECYCLING LOGO  
AND CAVITY NUMBER  
TO BE SIZED AND POSITIONED  
APPROPRIATELY ON BASE



HEAD OFFICE

ESTERFORM PACKAGING LIMITED  
BORASTON LANE  
TENBURY WELLS  
WORCESTERSHIRE  
WR15 8LE, UK

Phone : +44 (0) 1584 810 600  
Fax : +44 (0) 1584 810 213