

PRODUCT TITLE

500ml LIGHTWEIGHT

Ø 26mm under collar

DRAWING NUMBER

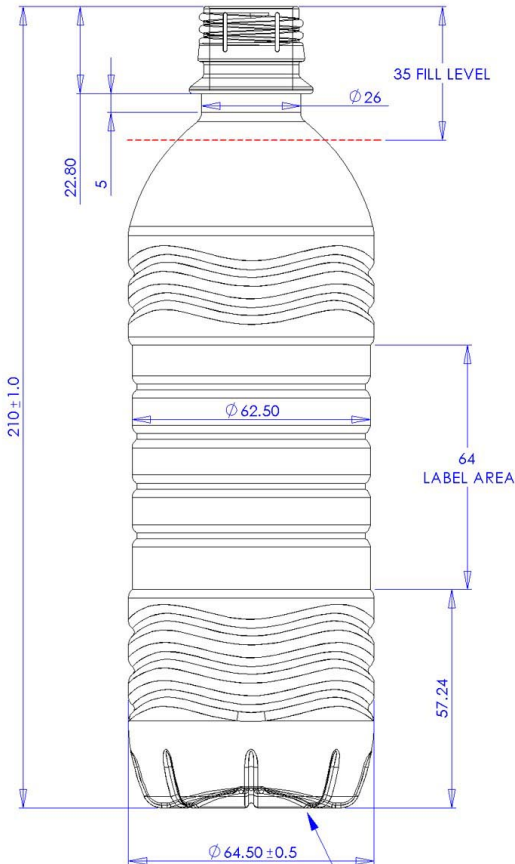
E415-B-12 ...

ISSUE NUMBER

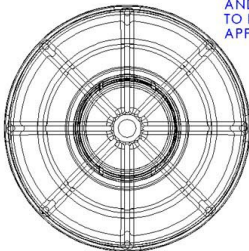
6

MATERIAL

PET



ESTERFORM LOGO
RECYCLING LOGO
AND CAVITY NUMBER
TO BE SIZED AND POSITIONED
APPROPRIATELY ON BASE



CAPACITY @ FILL LEVEL
@ 20 °C after 72hrs

510ml ± 5ml

CAPACITY @ BRIMFULL
@ 20 °C after 72hrs

...

NECK FINISH

28mm BPF

DESIGN WEIGHT

17g

ALTERNATIVE WEIGHTS

...

TOOLING REF

...

DIMENSIONS

ALL DIMENSIONS IN MILLIMETERS UNLESS OTHERWISE STATED

ALL DIMENSIONS SHOWN ARE A REPRESENTATION AND ARE SUBJECT TO CHANGE

UNLESS STATED GENERAL TOLERANCES FOR BLOWN PARTS = ± 0.5 mm

UNLESS STATED GENERAL TOLERANCES FOR INJECTED PARTS = ± 0.2 mm

HEAD OFFICE

ESTERFORM PACKAGING LIMITED
BORASTON LANE
TENBURY WELLS
WORCESTERSHIRE
WR15 8LE, UK

Phone : +44 (0) 1584 810 600
Fax : +44 (0) 1584 810 213

THIS DRAWING AND THE COPYRIGHT THEREON ARE THE PROPERTY OF ESTERFORM LTD AND MUST NOT BE REPRODUCED IN PART OR IN WHOLE OR PASSED ON TO OTHERS WITHOUT PERMISSION