

PRODUCT TITLE

1125ml VEENO

DRAWING NUMBER

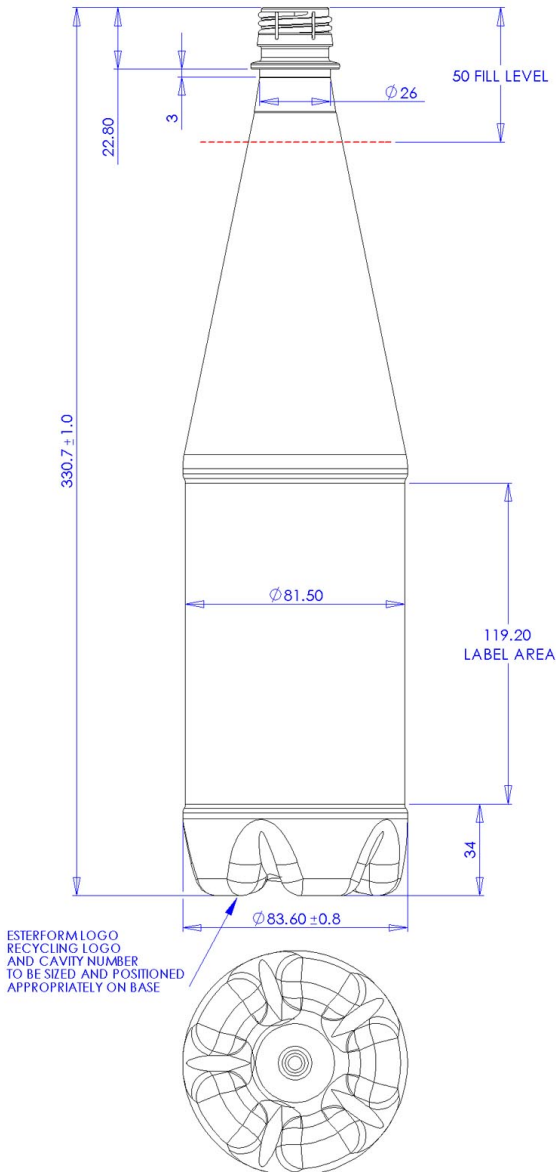
E247-B-02

ISSUE NUMBER

2

MATERIAL

PET



CAPACITY @ FILL LEVEL @ 20 °C after 72hrs 1135ml ± 10 ml

CAPACITY @ BRIMFULL @ 20 °C after 72hrs 1161ml ± 10 ml

NECK FINISH 28mm BPF

DESIGN WEIGHT 44.5g

ALTERNATIVE WEIGHTS 38g
41.5g

TOOLING REF

...

DIMENSIONS

ALL DIMENSIONS IN MILLIMETERS UNLESS OTHERWISE STATED

ALL DIMENSIONS SHOWN ARE A REPRESENTATION AND ARE SUBJECT TO CHANGE

UNLESS STATED GENERAL TOLERANCES FOR BLOWN PARTS = ± 0.5 mm

UNLESS STATED GENERAL TOLERANCES FOR INJECTED PARTS = ± 0.2 mm

HEAD OFFICE

ESTERFORM PACKAGING LIMITED
BORASTON LANE
TENBURY WELLS
WORCESTERSHIRE
WR15 8LE, UK

Phone : +44 (0) 1584 810 600
Fax : +44 (0) 1584 810 213

THIS DRAWING AND THE COPYRIGHT THEREON ARE THE PROPERTY OF ESTERFORM LTD AND MUST NOT BE REPRODUCED IN PART OR IN WHOLE OR PASSED ON TO OTHERS WITHOUT PERMISSION