

PRODUCT TITLE

330ml SQUARE

DRAWING NUMBER

E540-B-01

ISSUE NUMBER

1

MATERIAL

PET



CAPACITY @ FILL LEVEL
@ 20 °C after 72hrs

330ml ± 10ml

CAPACITY @ BRIMFULL
@ 20 °C after 72hrs

...

NECK FINISH

38mm UCS

DESIGN WEIGHT

20g

ALTERNATIVE WEIGHTS

...

TOOLING REF

...

DIMENSIONS

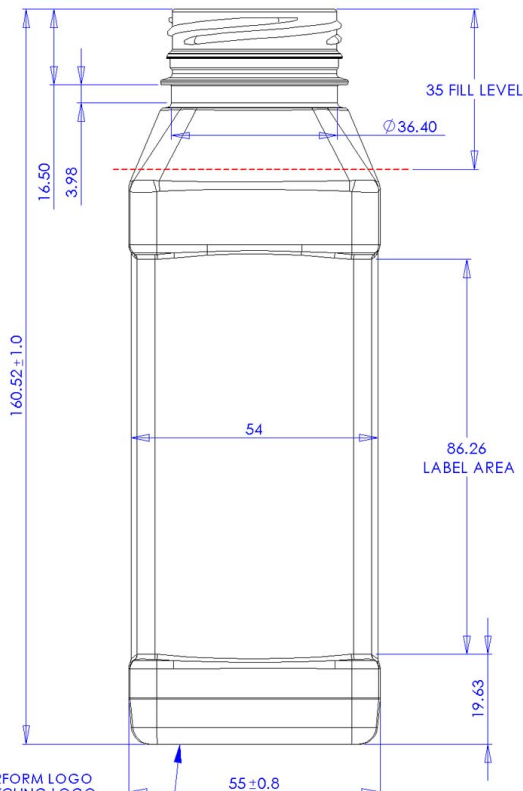
ALL DIMENSIONS IN MILLIMETERS UNLESS OTHERWISE STATED

ALL DIMENSIONS SHOWN ARE A REPRESENTATION AND ARE SUBJECT TO CHANGE

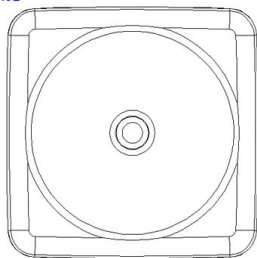
UNLESS STATED GENERAL TOLERANCES FOR BLOWN PARTS = ±0.5 mm

UNLESS STATED GENERAL TOLERANCES FOR INJECTED PARTS = ±0.2mm

THIS DRAWING AND THE COPYRIGHT THEREON ARE THE PROPERTY OF ESTERFORM LTD AND MUST NOT BE REPRODUCED IN PART OR IN WHOLE OR PASSED ON TO OTHERS WITHOUT PERMISSION



ESTERFORM LOGO
RECYCLING LOGO
AND CAVITY NUMBER
TO BE SIZED AND POSITIONED
APPROPRIATELY ON BASE



HEAD OFFICE

ESTERFORM PACKAGING LIMITED
BORASTON LANE
TENBURY WELLS
WORCESTERSHIRE
WR15 8LE, UK

Phone : +44 (0) 1584 810 600
Fax : +44 (0) 1584 810 213