

PRODUCT TITLE

**250ml PRIMA**

DRAWING NUMBER

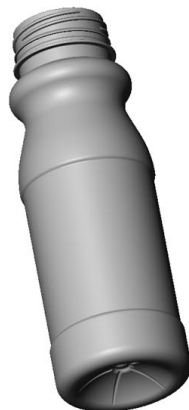
**E469-B-01 ...**

ISSUE NUMBER

1

MATERIAL

PET



CAPACITY @ FILL LEVEL @ 20 °C after 72hrs **250.0 ± 10.0ml**

CAPACITY @ BRIMFULL @ 20 °C after 72hrs ...

NECK FINISH **38mm UCS**

DESIGN WEIGHT **20.0g**

ALTERNATIVE WEIGHTS **18g**

TOOLING REF ...

**DIMENSIONS**

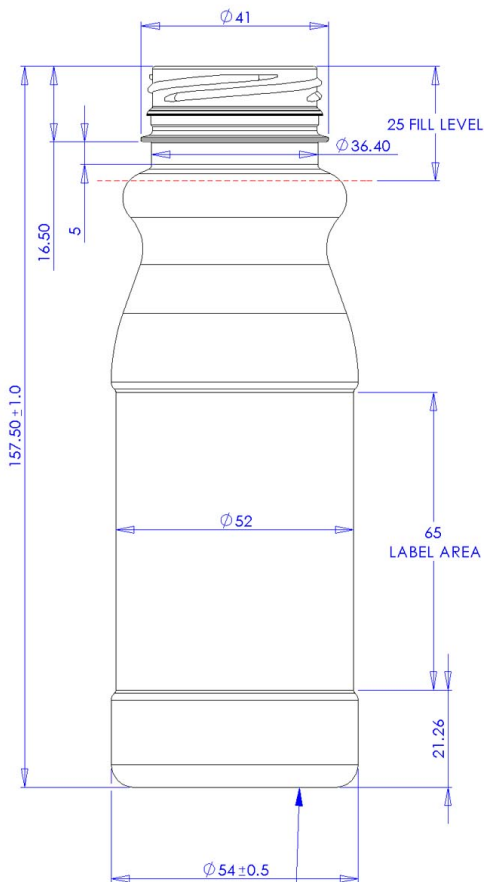
ALL DIMENSIONS IN MILLIMETERS UNLESS OTHERWISE STATED

ALL DIMENSIONS SHOWN ARE A REPRESENTATION AND ARE SUBJECT TO CHANGE

UNLESS STATED GENERAL TOLERANCES FOR BLOWN PARTS = ±0.5 mm

UNLESS STATED GENERAL TOLERANCES FOR INJECTED PARTS = ±0.2mm

THIS DRAWING AND THE COPYRIGHT THEREON ARE THE PROPERTY OF ESTERFORM LTD AND MUST NOT BE REPRODUCED IN PART OR IN WHOLE OR PASSED ON TO OTHERS WITHOUT PERMISSION



ESTERFORM LOGO  
RECYCLING LOGO  
AND CAVITY NUMBER  
TO BE SIZED AND POSITIONED  
APPROPRIATELY ON BASE

HEAD OFFICE

ESTERFORM PACKAGING LIMITED  
BORASTON LANE  
TENBURY WELLS  
WORCESTERSHIRE  
WR15 8LE, UK

Phone : +44 (0) 1584 810 600  
Fax : +44 (0) 1584 810 213